

# PLATE

P50 / 10

EAN 4031582482379



BETTER MOBILITY. BETTER LIFE.



Image may differ from the original product

## PERFORMANCE

Corrosion resistance ●●●○○

## CORE ATTRIBUTES

Product name	Plate
Type	Accessory

## FITTING

Fitting type	Rectangular plate
Plate length	77 mm
Plate width	67 mm
Plate hole length (Minimum)	56 mm
Plate hole length (Maximum)	61.5 mm
Plate hole width (Minimum)	46.5 mm
Plate hole width (Maximum)	51.5 mm
Plate hole diameter	8 mm



Universal  
Design  
Award



Deutscher  
Designer  
Club

# PLATE

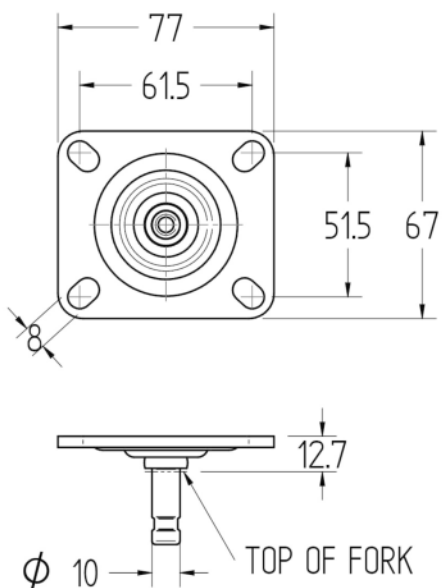
P50 / 10

EAN 4031582482379



BETTER MOBILITY. BETTER LIFE.

## TECHNICAL DRAWINGS



Universal  
Design  
Award



Deutscher  
Designer  
Club