

MOUNTING PLATE

P52-95X70 / 10

EAN 4031582482362



BETTER MOBILITY. BETTER LIFE.



Image may differ from the original product

PERFORMANCE

Corrosion resistance ● ● ● ○ ○

CORE ATTRIBUTES

| | |
|--------------|----------------|
| Product name | Mounting plate |
| Type | Accessory |

FITTING

| | |
|-----------------------------|---|
| Fitting type | Rectangular plate, US-bolt hole spacing |
| Plate length | 3.74 in |
| Plate width | 2.76 in |
| Plate hole length (Minimum) | 1.75 in |
| Plate hole length (Maximum) | 2.05 in |
| Plate hole width (Minimum) | 2.83 in |
| Plate hole width (Maximum) | 2.99 in |
| Plate hole diameter | 0.35 in |



Universal Design Award



Deutscher Designer Club

MOUNTING PLATE

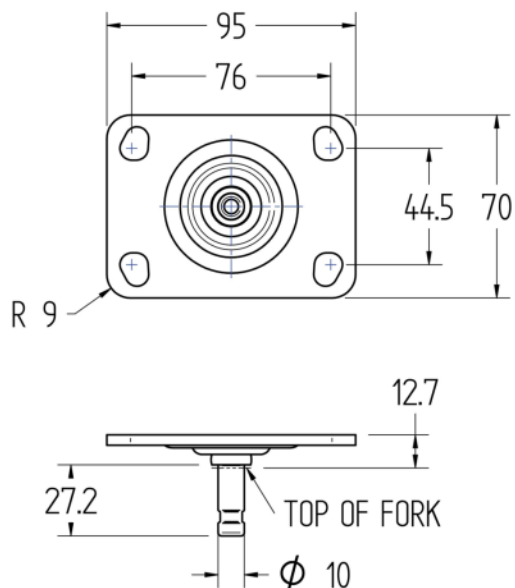
P52-95X70 / 10

EAN 4031582482362



BETTER MOBILITY. BETTER LIFE.

TECHNICAL DRAWINGS



Universal
Design
Award



Deutscher
Designer
Club