

# LINEA LIGHT

5920UAI065L51-10

EAN 4031582403909



BETTER MOBILITY. BETTER LIFE.



Image may differ from the original product

## PERFORMANCE

Roll Performance	● ● ● ● ○
Movement Noise	● ● ● ● ○
Attrition	● ● ● ● ○
Corrosion Resistance	● ● ● ● ○

## CORE ATTRIBUTES

Product Name	Linea light
Type	Swivel castor
Standard	EN12528 - Furniture Castors
Load capacity at 3 km/h	60 kg
Electric Conductive	No
Stainless	No
Load capacity Static	120 kg
Temperature range (Minimum)	-10 °C
Temperature range (Maximum)	40 °C
Overall Height	68 mm
Overall width	46 mm
Overall weight	0.1 kg

## HOUSING

Housing Material	Polyamide
Fork shape	Twin wheel housing
Swivel Bearing	Stem, swiveling
Swivel radius	56 mm
Swivel interference	112 mm
Dome diameter	23 mm

## WHEEL

Body material	Polyamide
Tread Material Mix	Polyurethane, injected
Bearing	Plain bearing with spacer tube
Threadguards	Without threadguard
Diameter	65 mm
Tread width	13.9 mm
Hardness of tread (A)	87 Shore A

## FITTING

Fitting type	Blind hole for B10
Bolt hole diameter	10 mm



Deutscher Designer Club



Interzum Award



IF Design Award

product design award

# LINEA LIGHT

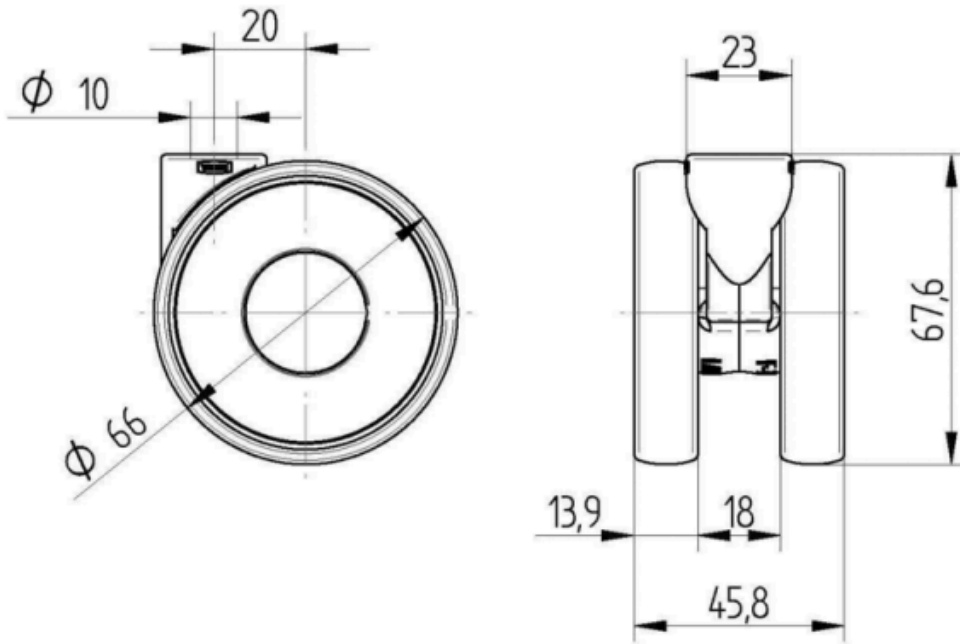
5920UAI065L51-10

EAN 4031582403909



BETTER MOBILITY. BETTER LIFE.

## Product Drawings



Deutscher Designer Club



Interzum Award



product design award

IF Design Award