

# LINEA LIGHT

5920UAI075L51-10 RAL9002

EAN 4031582377415



BETTER MOBILITY. BETTER LIFE.



Image may differ from the original product

## PERFORMANCE

Roll performance	● ● ● ● ●
Movement noise	● ● ● ● ●
Attrition	● ● ● ● ●
Corrosion resistance	● ● ● ● ●

## CORE ATTRIBUTES

Product name	Linea light
Type	Swivel castor
Standard	EN12528 - Furniture Castors
Load capacity at 3 km/h	80 kg
Load capacity Static	160 kg
Temperature range (Minimum)	-20 °C
Temperature range (Maximum)	60 °C
Overall height	75.5 mm
Overall width	55 mm
Overall weight	0.15 kg

## WHEEL

Body material	Polyamide
Tread material	Polyurethane, injected
Bearing	Plain bearing with spacer tube
Threadguards	Without threadguard
Diameter	75 mm
Tread width	15 mm
Hardness of tread (A)	92 Shore A

## HOUSING

Material fork	Polyamide
Fork shape	Twin wheel housing
Swivel bearing	Stem, swiveling
Colour	Grey white (RAL9002)
Offset	23 mm
Swivel radius	66 mm
Swivel interference	132 mm
Dome diameter	30 mm

## FITTING

Fitting type	Blind hole for B10
Bolt hole diameter	10 mm



Deutscher Designer Club



Interzum Award



IF Design Award

# LINEA LIGHT

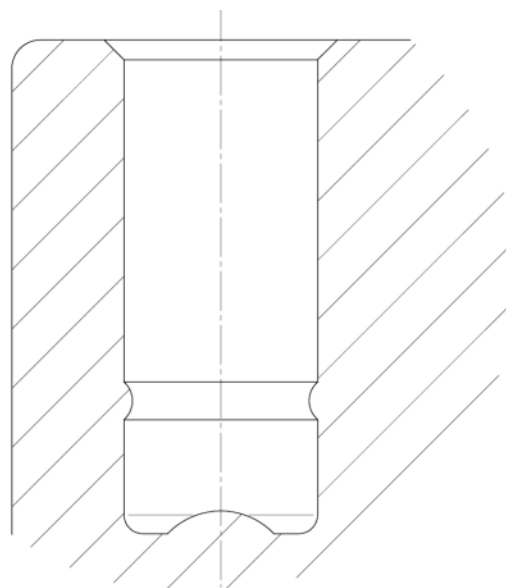
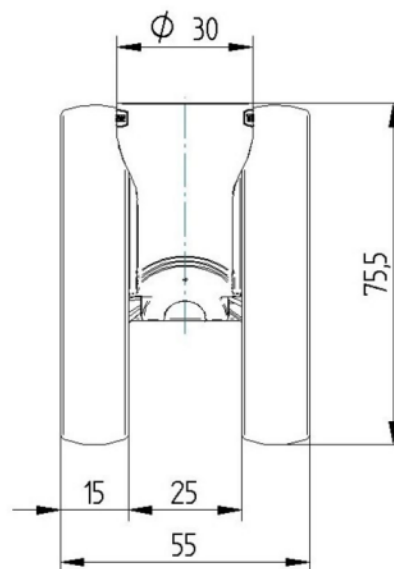
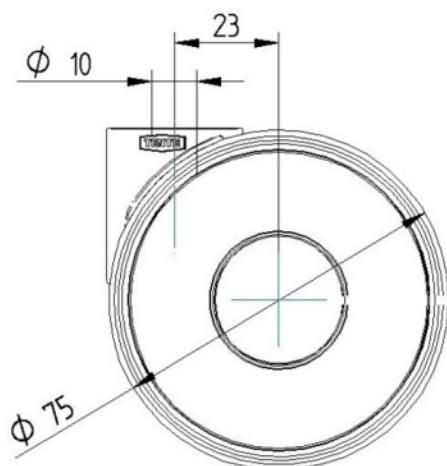
5920UAI075L51-10 RAL9002

EAN 4031582377415



BETTER MOBILITY. BETTER LIFE.

## TECHNICAL DRAWINGS



Deutscher  
Designer  
Club



Interzum  
Award



IF  
Design  
Award