

LINEA

5941UAP150P30-13

EAN 4031582408485



BETTER MOBILITY. BETTER LIFE.



Image may differ from the original product

PERFORMANCE

Roll performance	● ● ● ● ●
Movement noise	● ● ● ● ○
Attrition	● ● ● ● ○
Corrosion resistance	● ● ● ● ○

CORE ATTRIBUTES

Product name	Linea
Type	Swivel castor with directional lock
Standard	EN12530 - Devices Castors
Load capacity at 3 km/h	130 kg
Load capacity Static	260 kg
Temperature range (Minimum)	-20 °C
Temperature range (Maximum)	60 °C
Overall height	170 mm
Overall width	89 mm
Overall weight	1.25 kg

WHEEL

Body material	Polyamide
Tread material	Polyurethane, injected
Bearing	Precision ball bearing
Threadguards	With threadguard
Diameter	150 mm
Tread width	22 mm
Hardness of tread (A)	92 Shore A

HOUSING

Material fork	Polyamide
Fork shape	Twin wheel housing
Swivel bearing	Precision ball bearing
Offset	52 mm
Swivel radius	156 mm
Swivel interference	312 mm
Dome diameter	56 mm

FITTING

Fitting type	Bolt hole
Bolt hole diameter	13 mm



Deutscher Designer Club



Interzum Award



IF Design Award

LINEA

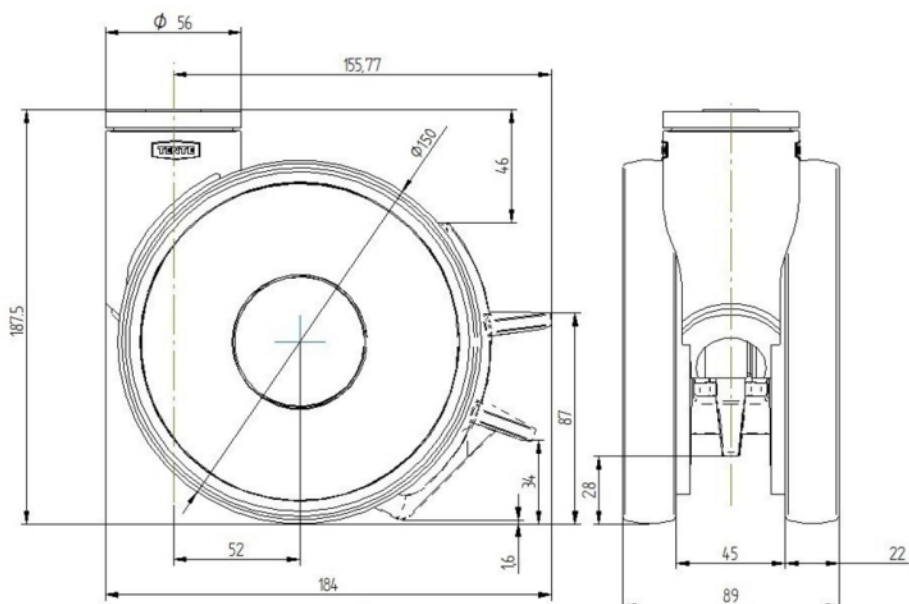
5941UAP150P30-13

EAN 4031582408485



BETTER MOBILITY. BETTER LIFE.

TECHNICAL DRAWINGS



Deutscher
Designer
Club



Interzum
Award



IF
Design
Award