

# INTEGRAL

2040UAX200R05-28 9002 W

EAN 4031582300147  
Order number 00030456



BETTER MOBILITY. BETTER LIFE.



Image may differ from the original product

## PERFORMANCE

Roll performance	● ● ● ○ ○
Movement noise	● ● ● ○ ○
Attrition	● ● ● ● ○
Corrosion resistance	● ● ● ○ ○

## CORE ATTRIBUTES

Product name	Integral
Type	Swivel castor
Standard	EN12531 - Hospital Bed Castors
Load capacity at 1.8 mph	330.69 lb
Load capacity at 2.5 mph	330.69 lb
Load capacity Static	992.08 lb
Temperature range (Minimum)	-13 °F
Temperature range (Maximum)	176 °F
Overall height	9.02 in
Overall width	2.76 in
Overall weight	3.43 lb
Certification	Tested and monitored by TÜV Süd

## WHEEL

Body material	Polyamide
Tread material	Polyurethane, injected
Bearing	Precision ball bearing, sealed
Tread color	Slate gray (RAL7015)
Wheel color	Slate gray (RAL7015)
Threadguards	Integrated threadguard
Diameter	7.87 in
Tread width	1.38 in
Body width	1.38 in
Hardness of tread (D)	59 Shore D

## HOUSING

Material	Steel sheet, medium
Fork shape	Closed
Swivel bearing	Precision ball bearing
Color	Gray white (RAL9002)
Offset	2.36 in
Swivel radius	6.3 in
Swivel interference	12.6 in
Dome diameter	2.76 in

## FITTING

Fitting type	Solid stem, round
Bolt diameter	1.1 in
Bolt length	1.77 in
Bolt thread position	0.75 in
Bolt mounting holes quantity	2
Hint	Washable beds must be sealed in the fitting area by the hospital bed manufacturer.

## ADDITIONAL INFORMATION

Washable according AK-BWA



IF Design Award



Red Dot Design Award

# INTEGRAL

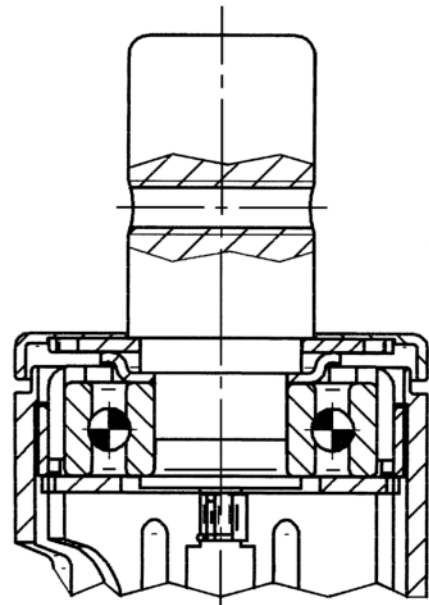
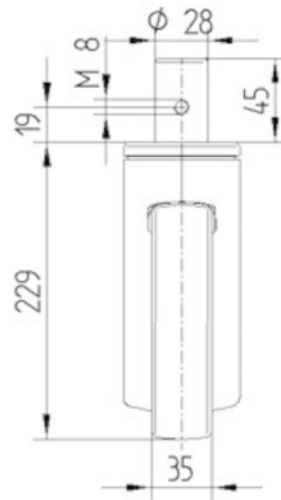
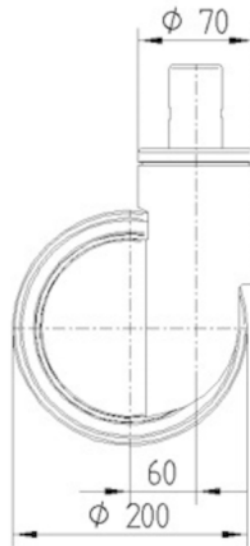
2040UAX200R05-28 9002 W

EAN 4031582300147  
Order number 00030456



BETTER MOBILITY. BETTER LIFE.

## TECHNICAL DRAWINGS



IF  
Design  
Award



Red Dot  
Design  
Award