

NOVATECH

ITP 250x55-Ø25 HL60

EAN 4031582319934



BETTER MOBILITY. BETTER LIFE.



Image may differ from the original product

WHEEL

Body material	Aluminium
Tread Material Mix	Polyurethane, casted
Bearing	Precision ball bearing
Wheel Color	Honey yellow (RAL1005)
Threadguards	Without threadguard
Diameter	250 mm
Tread width	55 mm
Axle Hole Diameter	25 mm
Hub Length	60 mm
Body width	55 mm
Hardness of tread (A)	92 Shore A
Hardness of tread (D)	42 Shore D

PERFORMANCE

Roll Performance	● ● ● ● ● ○
Movement Noise	● ● ● ● ○ ○
Attrition	● ● ● ● ● ○
Corrosion Resistance	● ● ● ● ○ ○

CORE ATTRIBUTES

Product Name	Novatech
Type	Wheel
Standard	EN12532 - Transport Equipment
Load capacity at 4 km/h	1000 kg
Load capacity at 6 km/h	800 kg
Electric Conductive	No
Stainless	No
Load capacity Static	2000 kg
Temperature range (Minimum)	-10 °C
Temperature range (Maximum)	60 °C
Overall weight	1.9 kg

NOVATECH

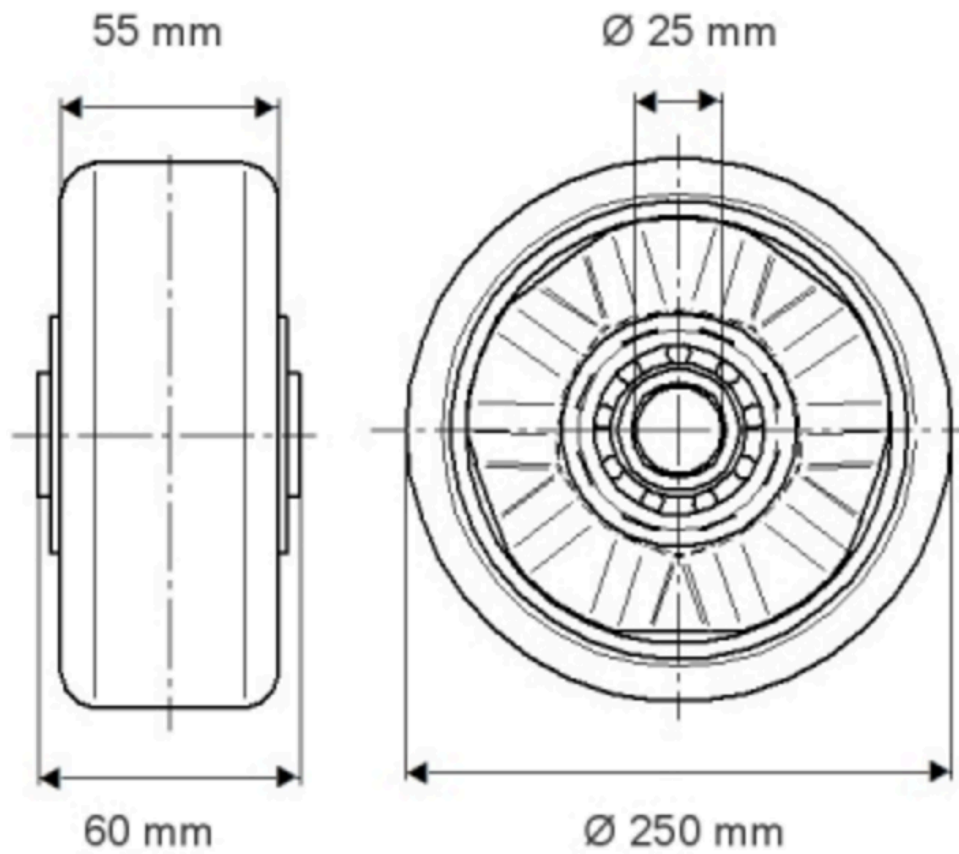
ITP 250x55-Ø25 HL60

EAN 4031582319934

Order number 00827859
Product Drawings



BETTER MOBILITY. BETTER LIFE.



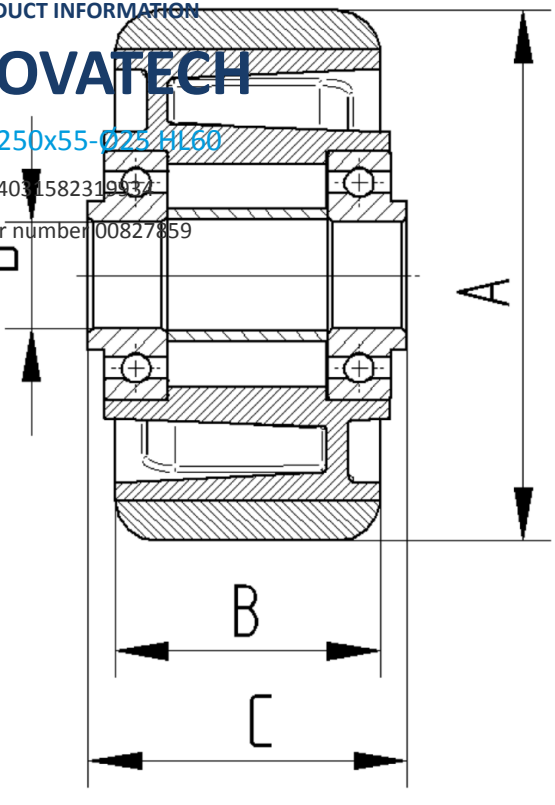
PRODUCT INFORMATION

NOVATECH

ITP 250x55-025-H160

EAN 4031582319937

Order number 00827859



BETTER MOBILITY. BETTER LIFE.