

LINEA LOAD

5945UAP050L51-8 load 9011

EAN 4031582430011



BETTER MOBILITY. BETTER LIFE.



Image may differ from the original product

PERFORMANCE

Roll Performance	● ● ● ● ●
Movement noise	● ● ● ● ○
Attrition	● ● ● ● ●
Corrosion resistance	● ● ● ● ○

CORE ATTRIBUTES

Product name	Linea load
Type	Swivel caster with wheel brake
Standard	EN12530 - Devices Castors
Load capacity at 1.8 mph	220.46 lb
Electric conductive	no
Stainless	no
Load capacity Static	440.92 lb
Temperature range (Minimum)	14 °F
Temperature range (Maximum)	104 °F
Overall height	1.97 in
Overall width	1.87 in
Overall weight	0.2 lb

HOUSING

Housing Material	Polyamide
Fork shape	Twin wheel housing
Swivel bearing	Precision ball bearing
Housing Color	Graphite black (RAL9011)
Swivel radius	2.01 in
Swivel interference	4.02 in
Dome diameter	0.91 in

WHEEL

Body material	Polyamide
Tread material	Polyurethane, injected
Bearing	Precision ball bearing
Threadguards	With threadguard
Diameter	1.97 in
Tread width	0.51 in
Hardness of tread (A)	92 Shore A

FITTING

Fitting type	Blind hole for B10 fitting
Bolt hole diameter	0.31 in



Deutscher Designer Club



Interzum Award



IF Design Award

product design award

LINEA LOAD

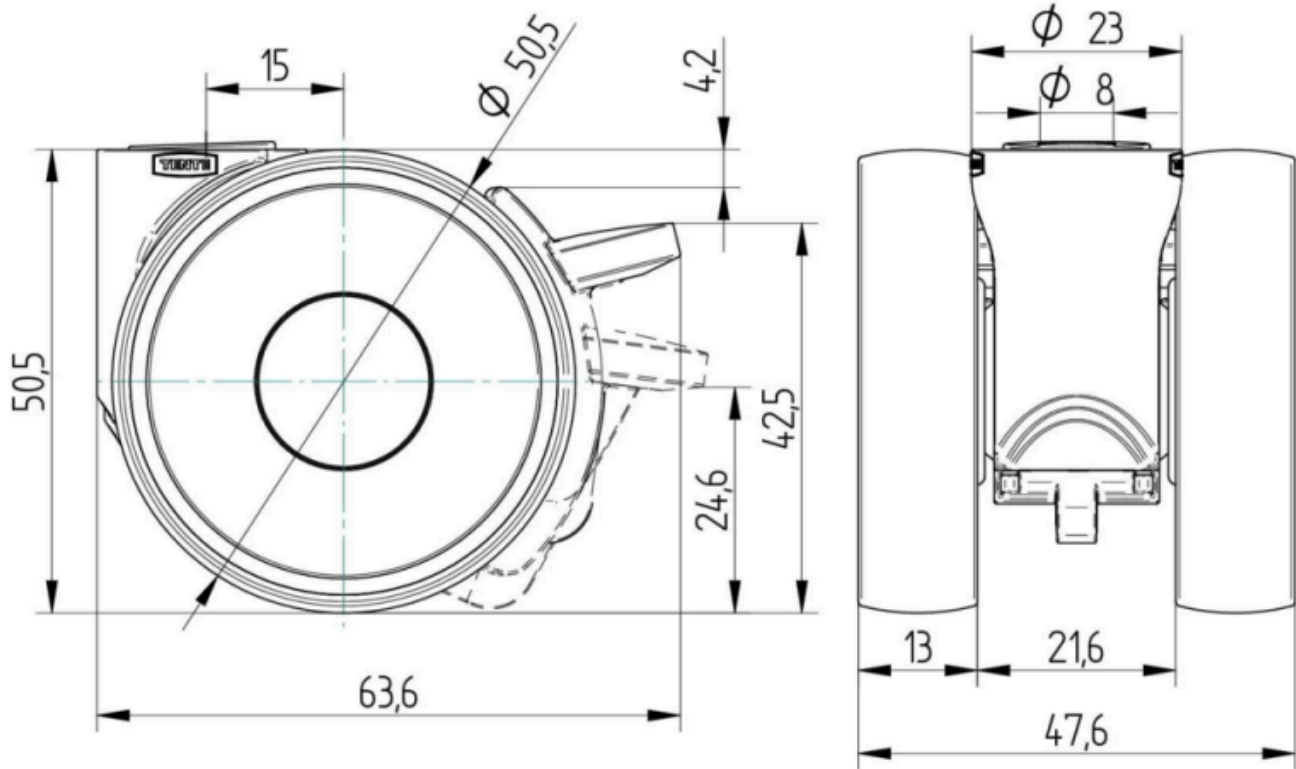
5945UAP050L51-8 load 9011

EAN 4031582430011



BETTER MOBILITY. BETTER LIFE.

Product Drawings



Deutscher Designer Club



Interzum Award



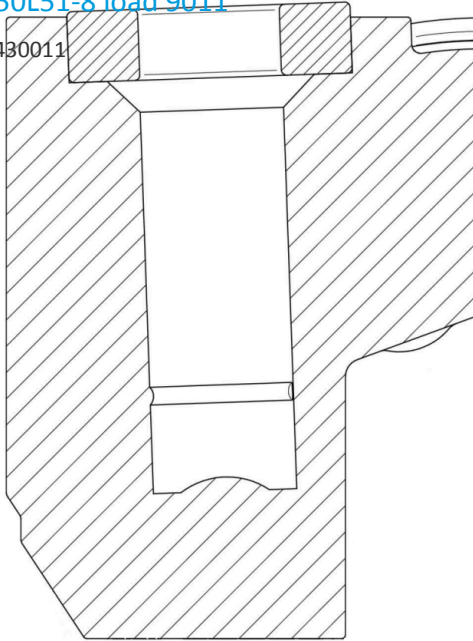
product design award

IF Design Award

LINEA LOAD

5945UAP050L51-8 load 9011

EAN 4031582430011



Deutscher
Designer
Club



Interzum
Award



product
design
award

IF Design
Award