

# LINEA LIGHT

5920UAP075L51-10 9002/7015/9002

EAN 4031582353365



BETTER MOBILITY. BETTER LIFE.



Image may differ from the original product

## PERFORMANCE

|                      |           |
|----------------------|-----------|
| Roll Performance     | ● ● ● ● ● |
| Movement Noise       | ● ● ● ● ● |
| Attrition            | ● ● ● ● ● |
| Corrosion Resistance | ● ● ● ● ● |

## CORE ATTRIBUTES

|                             |                             |
|-----------------------------|-----------------------------|
| Product Name                | Linea light                 |
| Type                        | Swivel castor               |
| Standard                    | EN12528 - Furniture Castors |
| Load capacity at 3 km/h     | 100 kg                      |
| Electric Conductive         | No                          |
| Stainless                   | No                          |
| Load capacity Static        | 200 kg                      |
| Temperature range (Minimum) | -20 °C                      |
| Temperature range (Maximum) | 60 °C                       |
| Overall Height              | 75.5 mm                     |
| Overall width               | 55 mm                       |
| Overall weight              | 0.18 kg                     |

## HOUSING

|                     |                      |
|---------------------|----------------------|
| Housing Material    | Polyamide            |
| Fork shape          | Twin wheel housing   |
| Swivel Bearing      | Stem, swiveling      |
| Housing Color       | Grey white (RAL9002) |
| Offset              | 23 mm                |
| Swivel radius       | 65 mm                |
| Swivel interference | 130 mm               |
| Dome diameter       | 30 mm                |

## WHEEL

|                       |                        |
|-----------------------|------------------------|
| Body material         | Polyamide              |
| Tread Material Mix    | Polyurethane, injected |
| Bearing               | Precision ball bearing |
| Tread Color           | Slate grey (RAL7015)   |
| Wheel Color           | Slate grey (RAL7015)   |
| Threadguards          | With threadguard       |
| Diameter              | 75 mm                  |
| Tread width           | 15 mm                  |
| Axle Hole Diameter    | 0 mm                   |
| Hub Length            | 0 mm                   |
| Body width            | 15 mm                  |
| Hardness of tread (A) | 92 Shore A             |

## FITTING

|                    |                    |
|--------------------|--------------------|
| Fitting type       | Blind hole for B10 |
| Bolt hole diameter | 10 mm              |



Deutscher Designer Club



Interzum Award



IF Design Award

product design award

# LINEA LIGHT

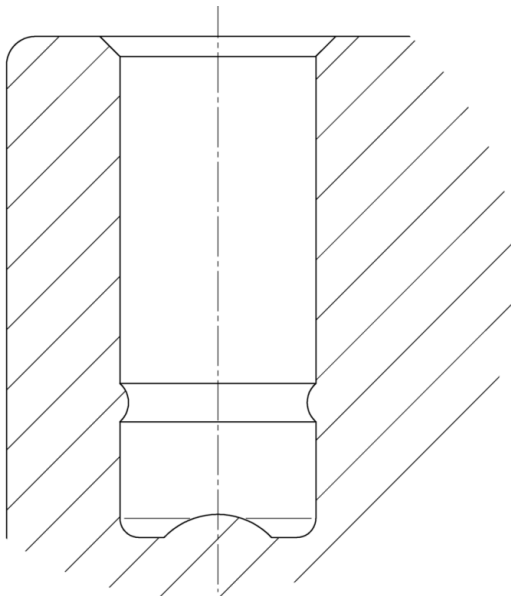
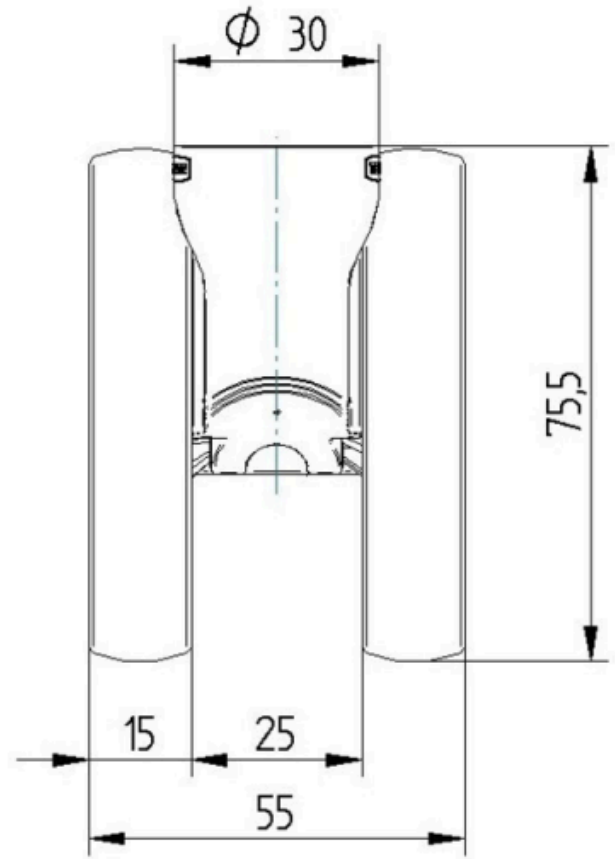
5920UAP075L51-10 9002/7015/9002

EAN 4031582353365

Order number 00770568  
Product Drawings



BETTER MOBILITY. BETTER LIFE.



Deutscher  
Designer  
Club



Interzum  
Award



product  
design  
award

IF Design  
Award