

# ALPHA

3470UOJ108P62 T/G-SMALL

EAN 4031582399974  
Order number 00002498



BETTER MOBILITY. BETTER LIFE.



Image may differ from the original product

## PERFORMANCE

Roll performance	● ● ● ○ ○
Movement noise	● ● ● ○ ○
Attrition	● ● ● ● ○
Corrosion resistance	● ● ● ○ ○

## CORE ATTRIBUTES

Product name	Alpha
Type	Swivel castor
Standard	EN12532 - Transport Equipment
Load capacity at 2.5 mph	440.92 lb
Load capacity Static	881.85 lb
Temperature range (Minimum)	-13 °F
Temperature range (Maximum)	176 °F
Overall height	5.2 in
Overall width	2.95 in
Overall weight	1.78 lb

## WHEEL

Body material	Polyamide
Tread material	Identical with wheel body
Bearing	Roller bearing
Axle	Screwed with nut
Wheel color	Natural white
Threadguards	With threadguard
Diameter	4.25 in
Tread width	1.42 in
Body width	1.42 in
Hardness of tread (D)	75 Shore D

## HOUSING

Material	Steel sheet, heavy
Fork shape	Broad
Swivel bearing	Two ball races
Color	Blue passivated
Offset	1.57 in
Swivel radius	3.7 in
Swivel interference	7.4 in
Dome diameter	2.95 in

## FITTING

Fitting type	Rectangular plate
Plate length	4.13 in
Plate width	3.15 in
Plate hole length (Minimum)	3.03 in
Plate hole length (Maximum)	2.36 in
Plate hole width (Minimum)	3.03 in
Plate hole width (Maximum)	3.15 in
Plate hole diameter	0.35 in

# ALPHA

3470UOJ108P62 T/G-SMALL

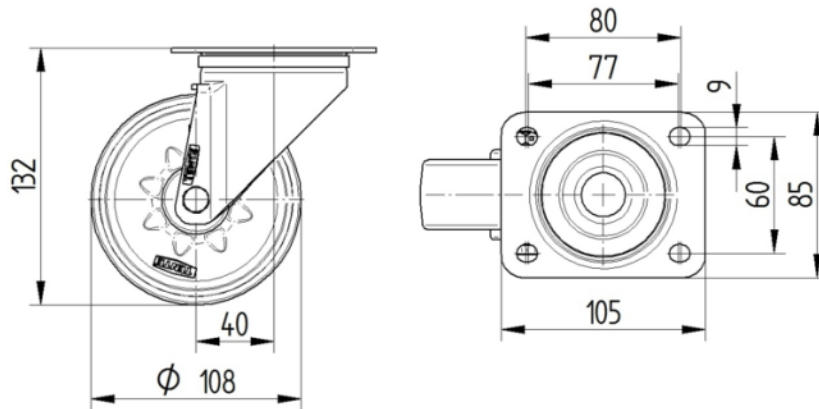
EAN 4031582399974  
Order number 00002498



BETTER MOBILITY. BETTER LIFE.

## TECHNICAL DRAWINGS

3470...108P62



Platte 3470-080P62-105x80

