

PRODUCT INFORMATION

ELASTECH

SEP400x80-Ø40 HL80 TFR

EAN 4031582394412



BETTER MOBILITY. BETTER LIFE.



Image may differ from the original product

WHEEL

Tread hardness	soft
Body material	Sheet steel, heavy
Tread material	Elastic tire, black, vulcanized
Bearing	Precision ball bearing
Threadguards	With threadguard
Diameter	15.75 in
Tread width	3.15 in
Axle hole diameter	1.57 in
Hub length	3.15 in
Hardness of tread (A)	70 Shore A

PERFORMANCE

Roll Performance	● ● ● ● ○ ○
Movement noise	● ● ● ● ○ ○
Attrition	● ● ● ● ○ ○
Corrosion resistance	● ● ● ● ○ ○

CORE ATTRIBUTES

Product name	Elastech
Type	Wheel
Standard	EN12533 - Heavy Duty Castors
Load capacity at 2.5 mph	3174.65 lb
Load capacity at 3.7 mph	2645.54 lb
Electric conductive	no
Stainless	no
Load capacity Static	6349.31 lb
Temperature range (Minimum)	-4 °F
Temperature range (Maximum)	185 °F
Overall weight	29.91 lb

ELASTECH

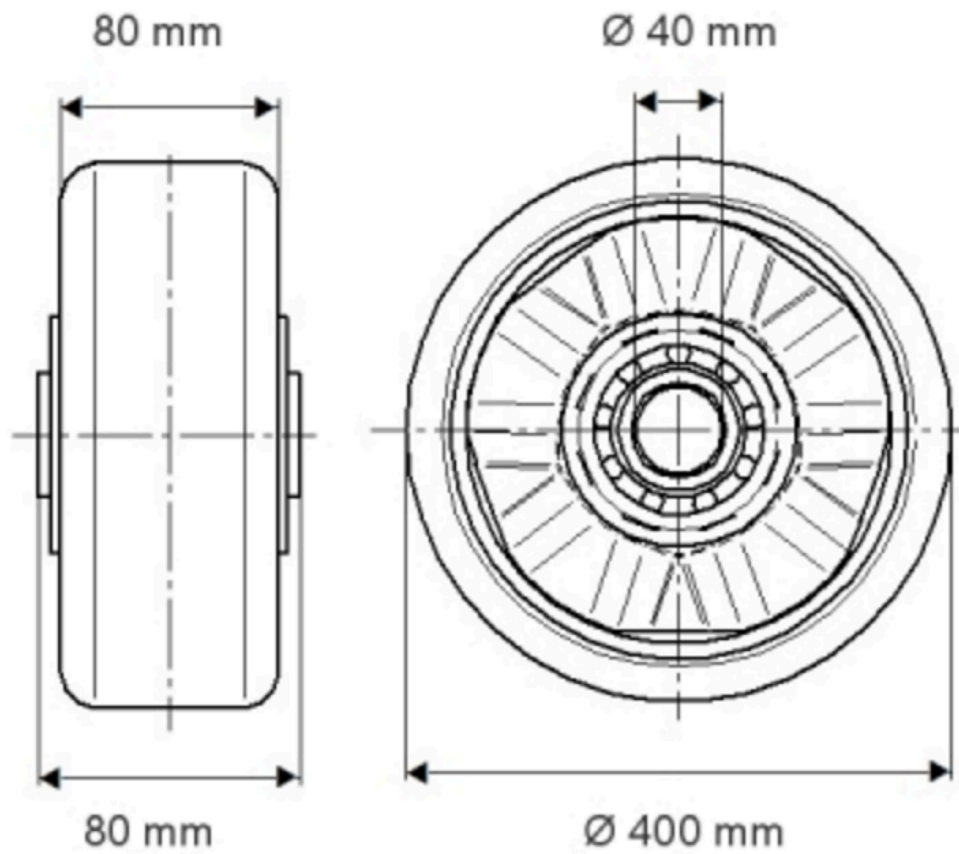
SEP400x80-Ø40 HL80 TFR

EAN 4031582394412



BETTER MOBILITY. BETTER LIFE.

Product Drawings

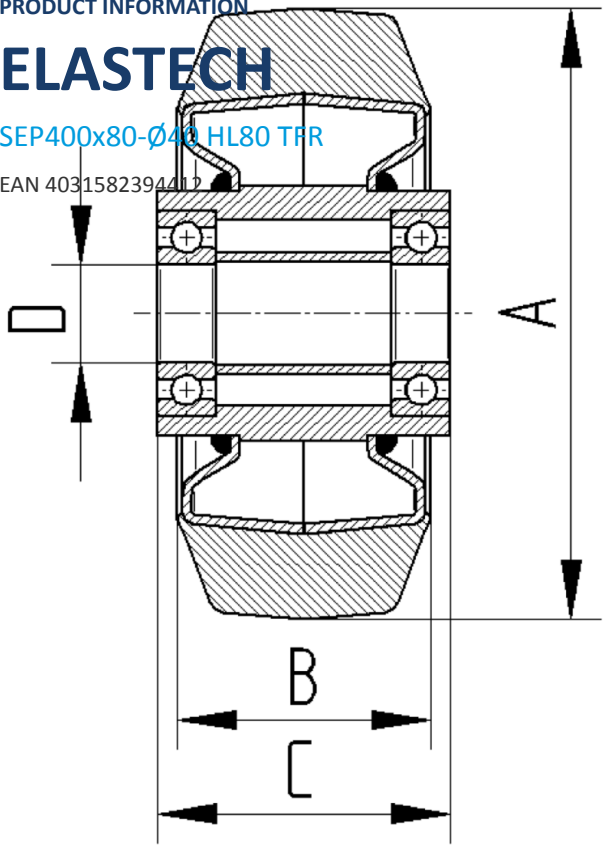


PRODUCT INFORMATION

ELASTECH

SEP400x80-Ø40 HL80 TFR

EAN 4031582394412



BETTER MOBILITY. BETTER LIFE.