

# ALPHA

3477POR125P62

EAN 4031582305562



BETTER MOBILITY. BETTER LIFE.



Image may differ from the original product

## PERFORMANCE

Roll Performance	● ● ● ● ○
Movement Noise	● ● ● ● ○
Attrition	● ● ● ● ○
Corrosion Resistance	● ● ● ● ○

## CORE ATTRIBUTES

Product Name	Alpha
Type	Swivel castor with total lock
Standard	EN12532 - Transport Equipment
Load capacity at 4 km/h	200 kg
Electric Conductive	No
Stainless	No
Load capacity Static	400 kg
Temperature range (Minimum)	-20 °C
Temperature range (Maximum)	60 °C
Overall Height	155 mm
Overall width	75 mm
Overall weight	1.04 kg

## HOUSING

Housing Material	Steel sheet, heavy
Fork shape	Broad
Swivel Bearing	Two ball races
Housing Color	Blue passivated
Offset	40 mm
Swivel radius	123 mm
Swivel interference	246 mm
Dome diameter	75 mm

## WHEEL

Body material	Polypropylene
Tread Material Mix	Identical with wheel body
Bearing	Roller bearing
Axle	Screwed with nut
Wheel Color	Graphite black (RAL9011)
Threadguards	Without threadguard
Diameter	125 mm
Tread width	40 mm
Body width	40 mm
Hardness of tread (D)	65 Shore D

## FITTING

Fitting type	Small rectangular plate
Plate length	105 mm
Plate width	80 mm
Plate hole length (Minimum)	77 mm
Plate hole length (Maximum)	60 mm
Plate hole width (Minimum)	77 mm
Plate hole width (Maximum)	80 mm
Plate hole diameter	9 mm

# ALPHA

3477POR125P62

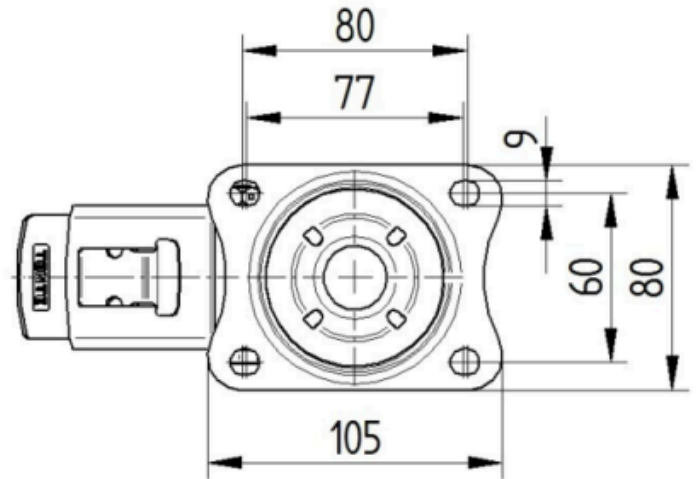
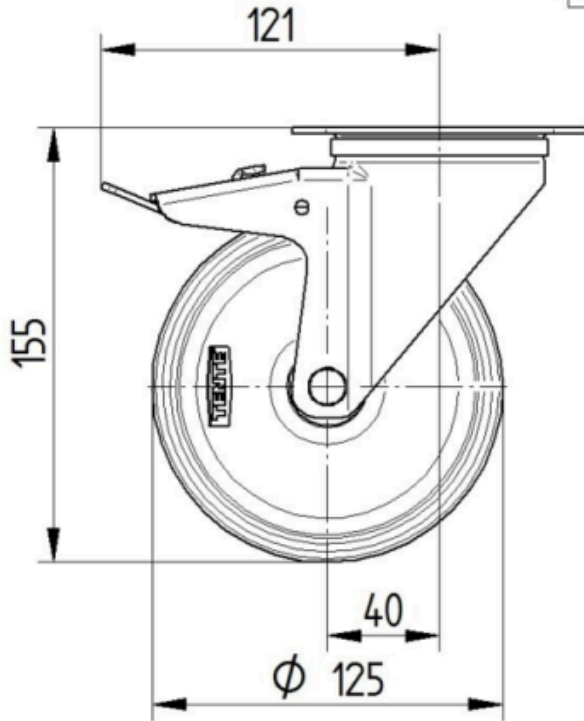
EAN 4031582305562

Order number 00001497  
Product Drawings



BETTER MOBILITY. BETTER LIFE.

3477U00125P62-neu



Platte 3470-080P62-105x80

