

ALPHA

3477ITP125P63 CL60 OH161

EAN 4031582305203
Order number 00031271



BETTER MOBILITY. BETTER LIFE.



Image may differ from the original product

PERFORMANCE

Roll performance	●●●○○
Movement noise	●●●○○
Attrition	●●●●○
Corrosion resistance	●●●○○

CORE ATTRIBUTES

Product name	Alpha
Type	Swivel castor with total lock
Standard	EN12532 - Transport Equipment
Load capacity at 2.5 mph	661.39 lb
Load capacity at 3.7 mph	440.92 lb
Load capacity Static	1322.77 lb
Temperature range (Minimum)	14 °F
Temperature range (Maximum)	140 °F
Overall height	6.34 in
Overall width	3.86 in
Overall weight	5.42 lb

WHEEL

Body material	Aluminum
Tread material	Polyurethane, casted
Bearing	Precision ball bearing
Axle	Screwed with nut
Wheel color	Metallic
Threadguards	Without threadguard
Diameter	4.92 in
Tread width	1.97 in
Body width	1.97 in
Hardness of tread (A)	92 Shore A
Hardness of tread (D)	42 Shore D

HOUSING

Material	Steel sheet, heavy
Fork shape	Broad
Swivel bearing	Two ball races
Color	Blue passivated
Offset	2.36 in
Swivel radius	6.57 in
Swivel interference	13.15 in
Dome diameter	3.86 in

FITTING

Fitting type	Rectangular plate
Plate length	5.39 in
Plate width	4.13 in
Plate hole length (Minimum)	2.95 in
Plate hole length (Maximum)	3.15 in
Plate hole width (Minimum)	2.95 in
Plate hole width (Maximum)	4.13 in
Plate hole diameter	0.43 in

ALPHA

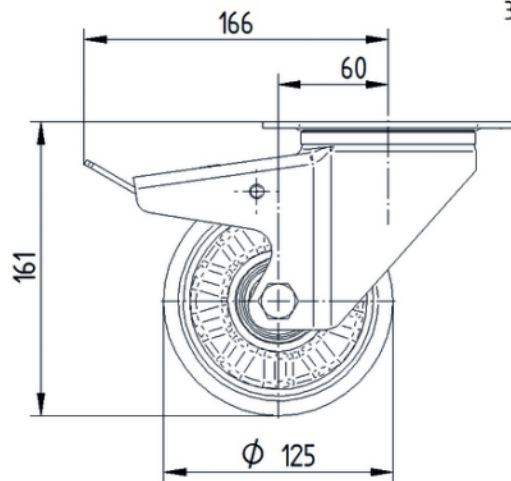
3477ITP125P63 CL60 OH161

EAN 4031582305203
Order number 00031271



BETTER MOBILITY. BETTER LIFE.

TECHNICAL DRAWINGS



3477ITP125P63

