

LINEA

5947UAC100P52 RAL9002

EAN 4031582353051



BETTER MOBILITY. BETTER LIFE.



Image may differ from the original product

PERFORMANCE

Roll performance	● ● ● ● ●
Movement noise	● ● ● ○ ○
Attrition	● ● ● ● ○
Corrosion resistance	● ● ● ● ○

CORE ATTRIBUTES

Product name	Linea
Type	Swivel castor with total lock
Standard	EN12530 - Devices Castors
Load capacity at 1.8 mph	264.55 lb
Stainless	✓
Load capacity Static	529.11 lb
Temperature range (Minimum)	14 °F
Temperature range (Maximum)	104 °F
Overall height	4.88 in
Overall width	3.23 in

WHEEL

Body material	Polyamide
Tread material	Polyurethane, injected
Bearing	Precision ball bearing, stainless
Threadguards	With threadguard
Diameter	3.94 in
Tread width	0.79 in
Hardness of tread (A)	92 Shore A

HOUSING

Material	Polyamide
Fork shape	Twin wheel housing
Swivel bearing	Precision ball bearing
Color	Gray white (RAL9002)
Offset	1.26 in
Swivel radius	4.25 in
Swivel interference	8.5 in
Dome diameter	2.05 in

FITTING

Fitting type	Rectangular plate, US-bolt hole spacing
Plate length	3.74 in
Plate width	2.76 in
Plate hole length (Minimum)	2.83 in
Plate hole length (Maximum)	2.99 in
Plate hole width (Minimum)	1.75 in
Plate hole width (Maximum)	2.05 in
Plate hole diameter	0.43 in



Deutscher Designer Club



Interzum Award



IF Design Award

PRODUCT INFORMATION

LINEA

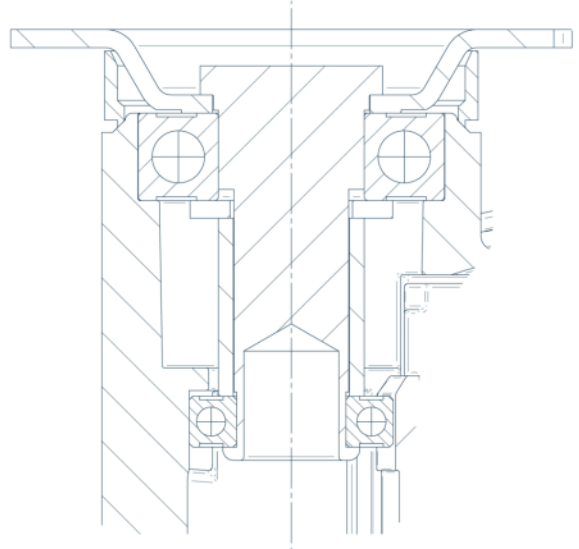
5947UAC100P52 RAL9002

EAN 4031582353051



BETTER MOBILITY. BETTER LIFE.

TECHNICAL DRAWINGS



Deutscher
Designer
Club



Interzum
Award



IF
Design
Award