

ALPHA

3470UOJ108P62 T/G-SMALL

EAN 4031582399974
Order number 00002498



BETTER MOBILITY. BETTER LIFE.



Image may differ from the original product

PERFORMANCE

Roll performance	● ● ● ○ ○
Movement noise	● ● ● ○ ○
Attrition	● ● ● ● ○
Corrosion resistance	● ● ● ○ ○

CORE ATTRIBUTES

Product name	Alpha
Type	Swivel castor
Standard	EN12532 - Transport Equipment
Load capacity at 4 km/h	200 kg
Load capacity Static	400 kg
Temperature range (Minimum)	-25 °C
Temperature range (Maximum)	80 °C
Overall height	132 mm
Overall width	75 mm
Overall weight	0.807 kg

WHEEL

Body material	Polyamide
Tread material	Identical with wheel body
Bearing	Roller bearing
Axle	Screwed with nut
Wheel color	Natural white
Threadguards	With threadguard
Diameter	108 mm
Tread width	36 mm
Body width	36 mm
Hardness of tread (D)	75 Shore D

HOUSING

Material fork	Steel sheet, heavy
Fork shape	Broad
Swivel bearing	Two ball races
Colour	Blue passivated
Offset	40 mm
Swivel radius	94 mm
Swivel interference	188 mm
Dome diameter	75 mm

FITTING

Fitting type	Small rectangular plate
Plate length	105 mm
Plate width	80 mm
Plate hole length (Minimum)	77 mm
Plate hole length (Maximum)	60 mm
Plate hole width (Minimum)	77 mm
Plate hole width (Maximum)	80 mm
Plate hole diameter	9 mm

ALPHA

3470UOJ108P62 T/G-SMALL

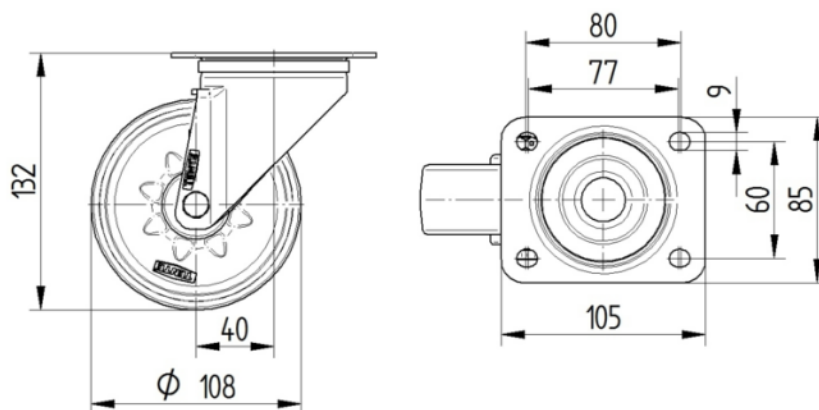
EAN 4031582399974
Order number 00002498



BETTER MOBILITY. BETTER LIFE.

TECHNICAL DRAWINGS

3470...108P62



Platte 3470-080P62-105x80

