

ALPHA

3470BOG100P62 TUK

EAN 4031582413403



BETTER MOBILITY. BETTER LIFE.



Image may differ from the original product

PERFORMANCE

Roll performance	● ● ● ● ○
Movement noise	● ● ● ○ ○
Attrition	● ● ● ● ●
Corrosion resistance	● ● ● ● ●

CORE ATTRIBUTES

Product name	Alpha
Type	Swivel castor
Standard	EN12532 - Transport Equipment
Load capacity at 4 km/h	125 kg
Load capacity Static	250 kg
Temperature range (Minimum)	-40 °C
Temperature range (Maximum)	280 °C
Overall height	128 mm
Overall weight	0.67 kg

WHEEL

Body material	Plastic thermoset, heat-resistant
Tread material	Identical with wheel body
Bearing	Dry bearing bush
Axle	Screwed with nut
Diameter	100 mm
Tread width	35 mm
Hardness of tread (D)	85 Shore D

HOUSING

Material fork	Steel sheet, heavy
Fork shape	Broad
Swivel bearing	Two ball races
Offset	40 mm
Swivel radius	90 mm
Swivel interference	180 mm

FITTING

Fitting type	Small rectangular plate
Plate length	105 mm
Plate width	80 mm
Plate hole length (Minimum)	77 mm
Plate hole length (Maximum)	80 mm
Plate hole width (Maximum)	60 mm
Plate hole diameter	9 mm

ALPHA

3470BOG100P62 TUK

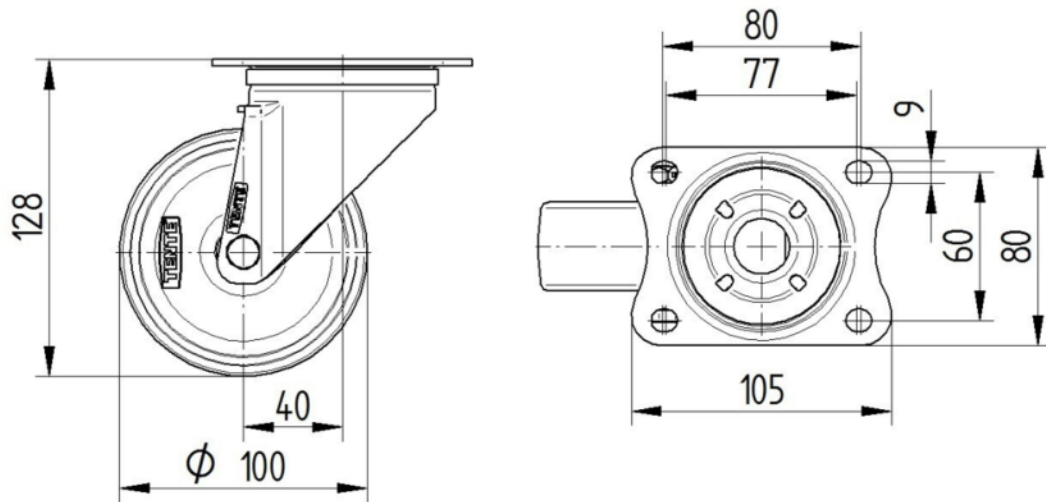
EAN 4031582413403



BETTER MOBILITY. BETTER LIFE.

TECHNICAL DRAWINGS

3470U00100P62-neu



Platte 3470-080P62-105x80

