

INTEGRAL ASSIST

ED44ETW150R36-34S35 D 9002 90°

Order number 900000053



BETTER MOBILITY. BETTER LIFE.



Image may differ from the original product

PERFORMANCE

Roll Performance	● ● ● ● ●
Movement noise	● ● ● ● ○
Attrition	● ● ● ● ○
Corrosion resistance	● ● ● ● ○

CORE ATTRIBUTES

Product name	Integral assist
Type	Swivel caster with central, total or directional lock
Standard	EN12531 - Hospital Bed Castors
Load capacity at 2.5 mph	330.69 lb
Electric conductive	no
WeAssist Compatible	1
Load capacity Static	992.08 lb
Temperature range (Minimum)	14 °F
Temperature range (Maximum)	104 °F
Overall height	7.2 in
Overall width	4.35 in
Overall weight	10.32 lb

HOUSING

Swivel bearing	Precision ball bearing
Housing Color	Gray white (RAL9002)
Offset	1.57 in
Swivel radius	4.53 in
Swivel interference	9.06 in
Dome diameter	4.35 in

WHEEL

Body material	Steel, iron
Tread material	Polyurethane, casted
Bearing	Hub motor
Tread color	Slate gray (RAL7015)
Threadguards	Integrated threadguard
Diameter	5.91 in
Tread width	1.97 in
Hardness of tread (A)	85 Shore A

FITTING

Fitting type	Stem with cam hole for profile bars, short version
--------------	--



INTEGRAL ASSIST

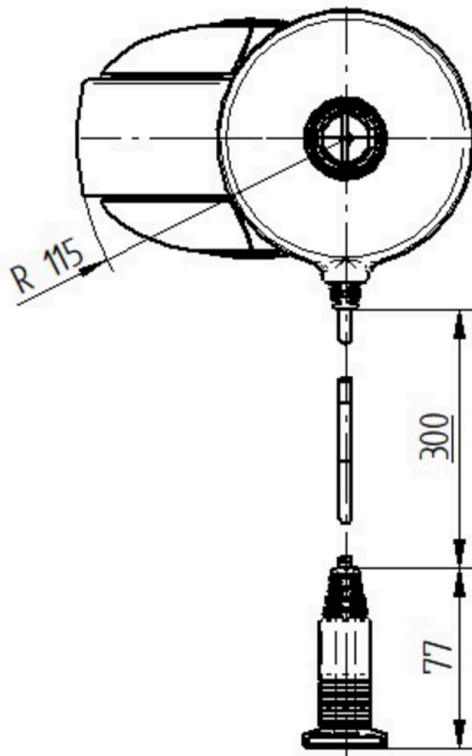
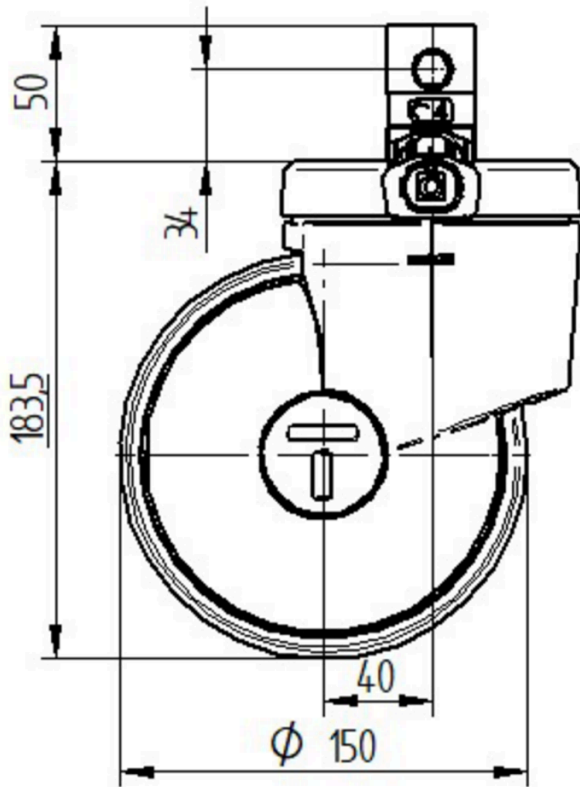
ED44ETW150R36-34S35 D 9002 90°

Order number 900000053



BETTER MOBILITY. BETTER LIFE.

Product Drawings



Red Dot
Design
Award