

ALPHA

3470PIR080P62

EAN 4031582303827
Order number 00029500



BETTER MOBILITY. BETTER LIFE.



Image may differ from the original product

PERFORMANCE

Roll performance	● ● ● ○ ○
Movement noise	● ● ● ● ●
Attrition	● ● ● ○ ○
Corrosion resistance	● ● ● ○ ○

CORE ATTRIBUTES

Product name	Alpha
Type	Swivel castor
Standard	EN12532 - Transport Equipment
Load capacity at 4 km/h	70 kg
Load capacity Static	140 kg
Temperature range (Minimum)	-20 °C
Temperature range (Maximum)	60 °C
Overall height	108 mm
Overall width	75 mm
Overall weight	0.696 kg

WHEEL

Body material	Polypropylene
Tread material	Solid rubber, non-marking
Bearing	Roller bearing
Axle	Screwed with nut
Wheel color	Graphite black (RAL9011)
Threadguards	Without threadguard
Diameter	80 mm
Tread width	35 mm
Body width	35 mm
Hardness of tread (A)	80 Shore A

HOUSING

Material fork	Steel sheet, heavy
Fork shape	Broad
Swivel bearing	Two ball races
Colour	Blue passivated
Offset	40 mm
Swivel radius	80 mm
Swivel interference	160 mm
Dome diameter	75 mm

FITTING

Fitting type	Small rectangular plate
Plate length	105 mm
Plate width	80 mm
Plate hole length (Minimum)	77 mm
Plate hole length (Maximum)	60 mm
Plate hole width (Minimum)	77 mm
Plate hole width (Maximum)	80 mm
Plate hole diameter	9 mm

ALPHA

3470PIR080P62

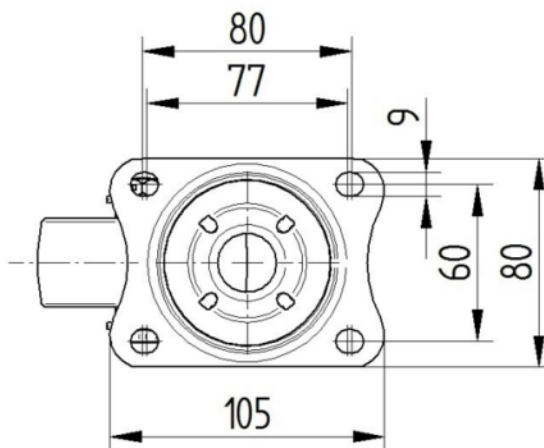
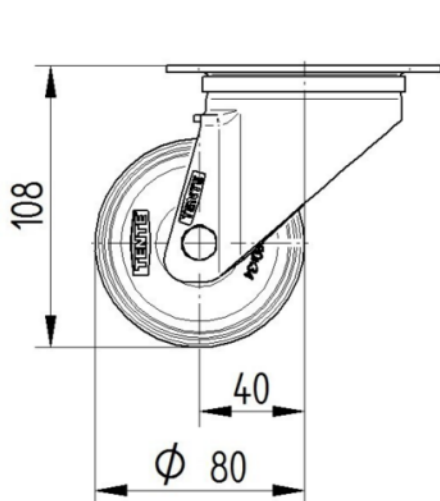
EAN 4031582303827
Order number 00029500



BETTER MOBILITY. BETTER LIFE.

TECHNICAL DRAWINGS

3470U00080P62-neu



Platte 3470-080P62-105x80

