

# ALPHA

3470UEJ125P62 T/G SMALL

EAN 4031582376852  
Order number 00001848



BETTER MOBILITY. BETTER LIFE.



Image may differ from the original product

## PERFORMANCE

Roll performance	● ● ● ● ○
Movement noise	● ● ● ● ○
Attrition	● ● ● ○ ○
Corrosion resistance	● ● ● ○ ○

## CORE ATTRIBUTES

Product name	Alpha
Type	Swivel castor
Standard	EN12532 - Transport Equipment
Load capacity at 2.5 mph	551.16 lb
Load capacity Static	1102.31 lb
Temperature range (Minimum)	-4 °F
Temperature range (Maximum)	176 °F
Overall height	6.1 in
Overall width	2.95 in
Overall weight	2.21 lb

## WHEEL

Body material	Polyamide
	soft
Tread material	Elastic tire, black, vulcanized
Bearing	Roller bearing
Axle	Screwed with nut
Wheel color	Silver gray (RAL7001)
Threadguards	With threadguard
Diameter	4.92 in
Tread width	1.57 in
Body width	1.57 in
Hardness of tread (A)	63 Shore A

## HOUSING

Material	Steel sheet, heavy
Fork shape	Broad
Swivel bearing	Two ball races
Color	Blue passivated
Offset	1.57 in
Swivel radius	4.04 in
Swivel interference	8.07 in
Dome diameter	2.95 in

## FITTING

Fitting type	Rectangular plate
Plate length	4.13 in
Plate width	3.15 in
Plate hole length (Minimum)	3.03 in
Plate hole length (Maximum)	2.36 in
Plate hole width (Minimum)	3.03 in
Plate hole width (Maximum)	3.15 in
Plate hole diameter	0.35 in

# ALPHA

3470UEJ125P62 T/G SMALL

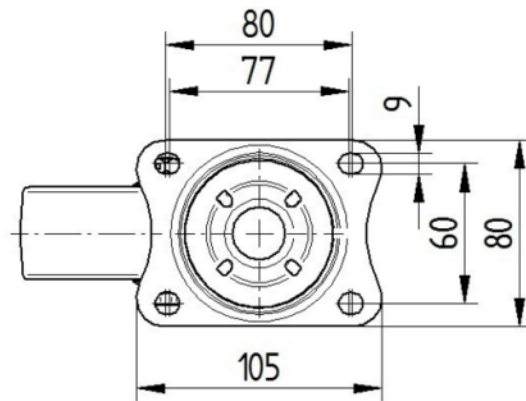
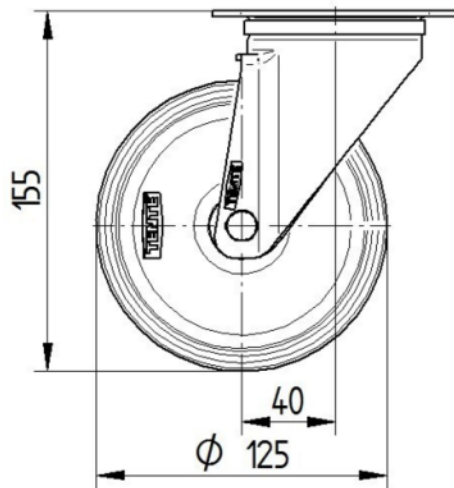
EAN 4031582376852  
Order number 00001848



BETTER MOBILITY. BETTER LIFE.

## TECHNICAL DRAWINGS

3470U00125P62-neu



Platte 3470-080P62-105x80

