

# ALPHA

3470UFJ100P62

EAN 4031582327496  
Order number 00001098



BETTER MOBILITY. BETTER LIFE.



Image may differ from the original product

## PERFORMANCE

Roll performance	● ● ● ● ○
Movement noise	● ● ● ● ○
Attrition	● ● ● ○ ○
Corrosion resistance	● ● ● ○ ○

## CORE ATTRIBUTES

Product name	Alpha
Housing type	Swivel castor
Standard	EN12532 - Transport Equipment
Load capacity at 4 km/h	160 kg
Load capacity Static	320 kg
Temperature range (Minimum)	-20 °C
Temperature range (Maximum)	80 °C
Overall height	128 mm
Overall width	75 mm
Overall weight	0.878 kg

## WHEEL

Body material	Polyamide
Tread material	Elastic tire, non-marking, vulcanized
Bearing	Roller bearing
Axle	Screwed with nut
Wheel color	Silver grey (RAL7001)
Threadguards	With threadguard
Diameter	100 mm
Tread width	34 mm
Body width	34 mm
Hardness of tread (A)	63 Shore A

## HOUSING

Material fork	Steel sheet, heavy
Fork shape	Broad
Swivel bearing	Two ball races
Colour	Blue passivated
Offset	40 mm
Swivel radius	90 mm
Swivel interference	180 mm
Dome diameter	75 mm

## FITTING

Fitting type	Rectangular plate
Plate length	105 mm
Plate width	80 mm
Plate hole length (Minimum)	77 mm
Plate hole length (Maximum)	60 mm
Plate hole width (Minimum)	77 mm
Plate hole width (Maximum)	80 mm
Plate hole diameter	9 mm

# ALPHA

3470UFJ100P62

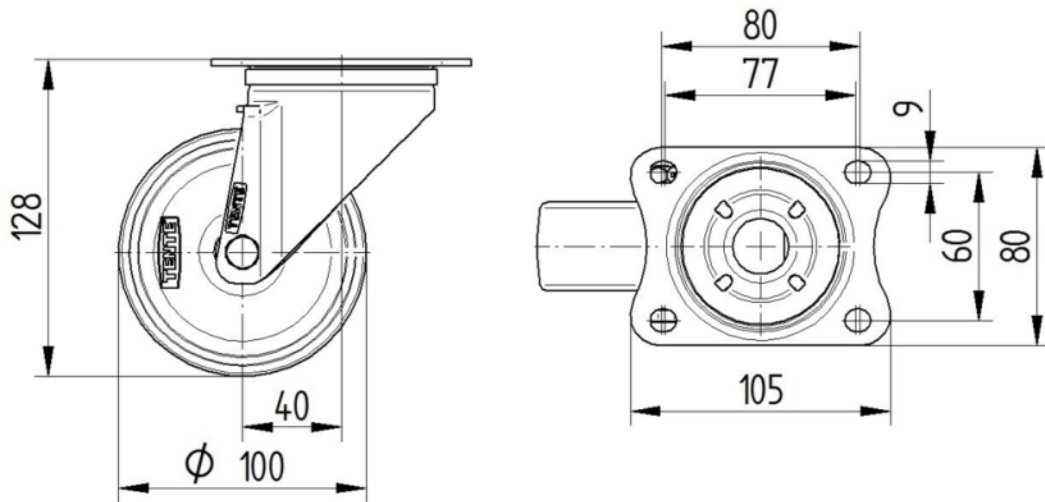
EAN 4031582327496  
Order number 00001098



BETTER MOBILITY. BETTER LIFE.

## TECHNICAL DRAWINGS

3470U00100P62-neu



Platte 3470-080P62-105x80

