

DURATECH

MOP 160x50-Ø30

EAN 4031582320046



BETTER MOBILITY. BETTER LIFE.



Image may differ from the original product

WHEEL

| | |
|-----------------------|---------------------------|
| Body material | Polyamide, super heavy |
| Tread Material Mix | Identical with wheel body |
| Bearing | Precision ball bearing |
| Wheel Color | Natural white |
| Threadguards | Without threadguard |
| Diameter | 160 mm |
| Tread width | 50 mm |
| Axle Hole Diameter | 30 mm |
| Hub Length | 60 mm |
| Body width | 50 mm |
| Hardness of tread (D) | 75 Shore D |
| Bearing type | 6306 |

PERFORMANCE

| | |
|----------------------|-----------|
| Roll Performance | ● ● ● ● ● |
| Movement Noise | ● ● ○ ○ ○ |
| Attrition | ● ● ● ● ● |
| Corrosion Resistance | ● ● ● ○ ○ |

CORE ATTRIBUTES

| | |
|-----------------------------|------------------------------|
| Product Name | Duratech |
| Type | Wheel |
| Standard | EN12533 - Heavy Duty Castors |
| Load capacity at 4 km/h | 2700 kg |
| Load capacity at 6 km/h | 2250 kg |
| Electric Conductive | No |
| Stainless | No |
| Load capacity Static | 4500 kg |
| Temperature range (Minimum) | -40 °C |
| Temperature range (Maximum) | 80 °C |
| Overall weight | 1.62 kg |

DURATECH

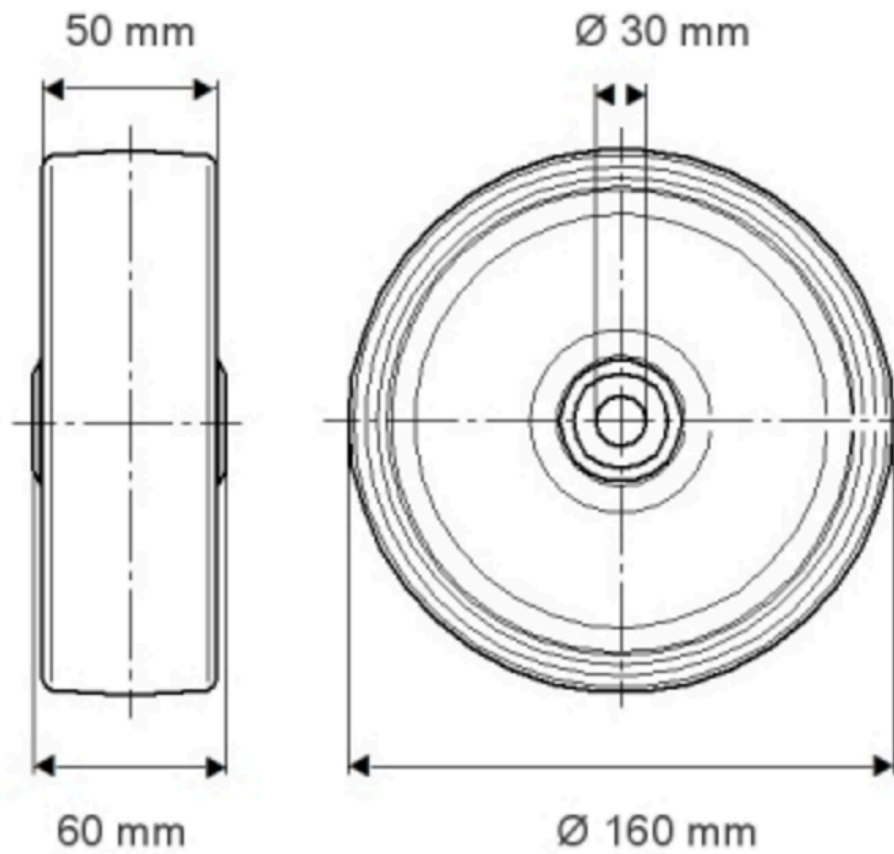
MOP 160x50-Ø30

EAN 4031582320046

Order number 00801261
Product Drawings



BETTER MOBILITY. BETTER LIFE.



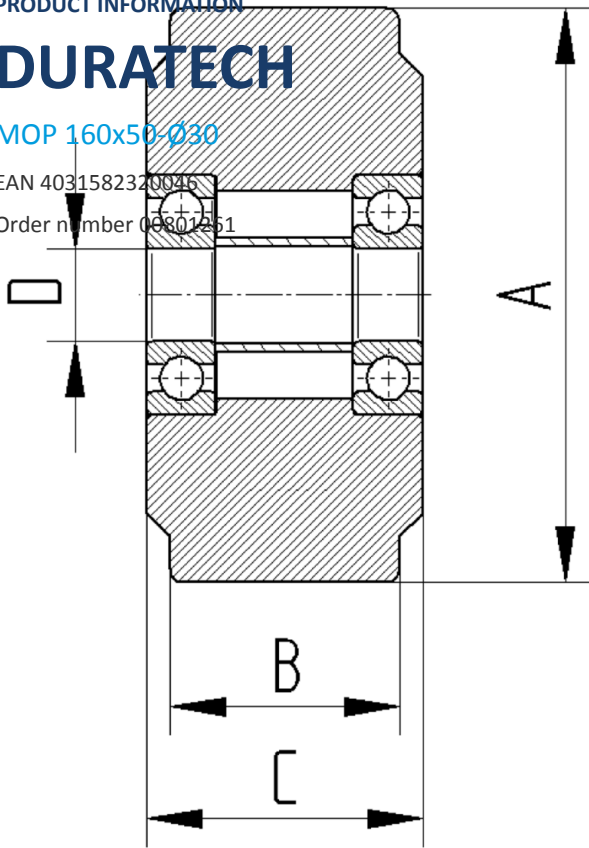
PRODUCT INFORMATION

DURATECH

MOP 160x50-Ø30

EAN 4031582320046

Order number 00801251



BETTER MOBILITY. BETTER LIFE.