

INTEGRAL

2044XSX200R26-28S45 D 9002 4xM8 W

EAN 4031582341881



BETTER MOBILITY. BETTER LIFE.



Image may differ from the original product

PERFORMANCE

| | |
|----------------------|-----------|
| Roll Performance | ● ● ● ● ○ |
| Movement Noise | ● ● ● ● ○ |
| Attrition | ● ● ● ● ○ |
| Corrosion Resistance | ● ● ● ● ○ |

CORE ATTRIBUTES

| | |
|-----------------------------|---|
| Product Name | Integral |
| Type | Swivel castor with central, total or directional lock |
| Standard | EN12531 - Hospital Bed Castors |
| Load capacity at 3 km/h | 150 kg |
| Load capacity at 4 km/h | 150 kg |
| Electric Conductive | Yes |
| Stainless | No |
| Load capacity Static | 450 kg |
| Temperature range (Minimum) | -25 °C |
| Temperature range (Maximum) | 80 °C |
| Overall Height | 229 mm |
| Overall width | 70 mm |
| Overall weight | 1.58 kg |
| Certification | Tested and monitored by TÜV Süd |

HOUSING

| | |
|---------------------|------------------------|
| Housing Material | Steel sheet, medium |
| Fork shape | Closed |
| Swivel Bearing | Precision ball bearing |
| Housing Color | Grey white (RAL9002) |
| Offset | 60 mm |
| Swivel radius | 160 mm |
| Swivel interference | 320 mm |
| Dome diameter | 70 mm |

WHEEL

| | |
|-----------------------|---|
| Body material | Polyamide, electric conductive |
| Tread Material Mix | Polyurethane, injected, electric-conductive |
| Bearing | Precision ball bearing, sealed |
| Tread Color | Slate grey (similar RAL7015) |
| Wheel Color | Slate grey (RAL7015) |
| Threadguards | Integrated threadguard |
| Diameter | 200 mm |
| Tread width | 35 mm |
| Body width | 35 mm |
| Hardness of tread (D) | 59 Shore D |

FITTING

| | |
|------------------------------|--|
| Brake cam | hex cam |
| Fitting type | Stem with cam hole for profile bars |
| Bolt diameter | 28 mm |
| Bolt length | 96 mm |
| Bolt thread position | 19 mm |
| Bolt mounting holes quantity | 4 |
| Hint | Washable beds must be sealed in the fitting area by the hospital bed manufacturer. |



IF Design Award



Red Dot Design Award

INTEGRAL

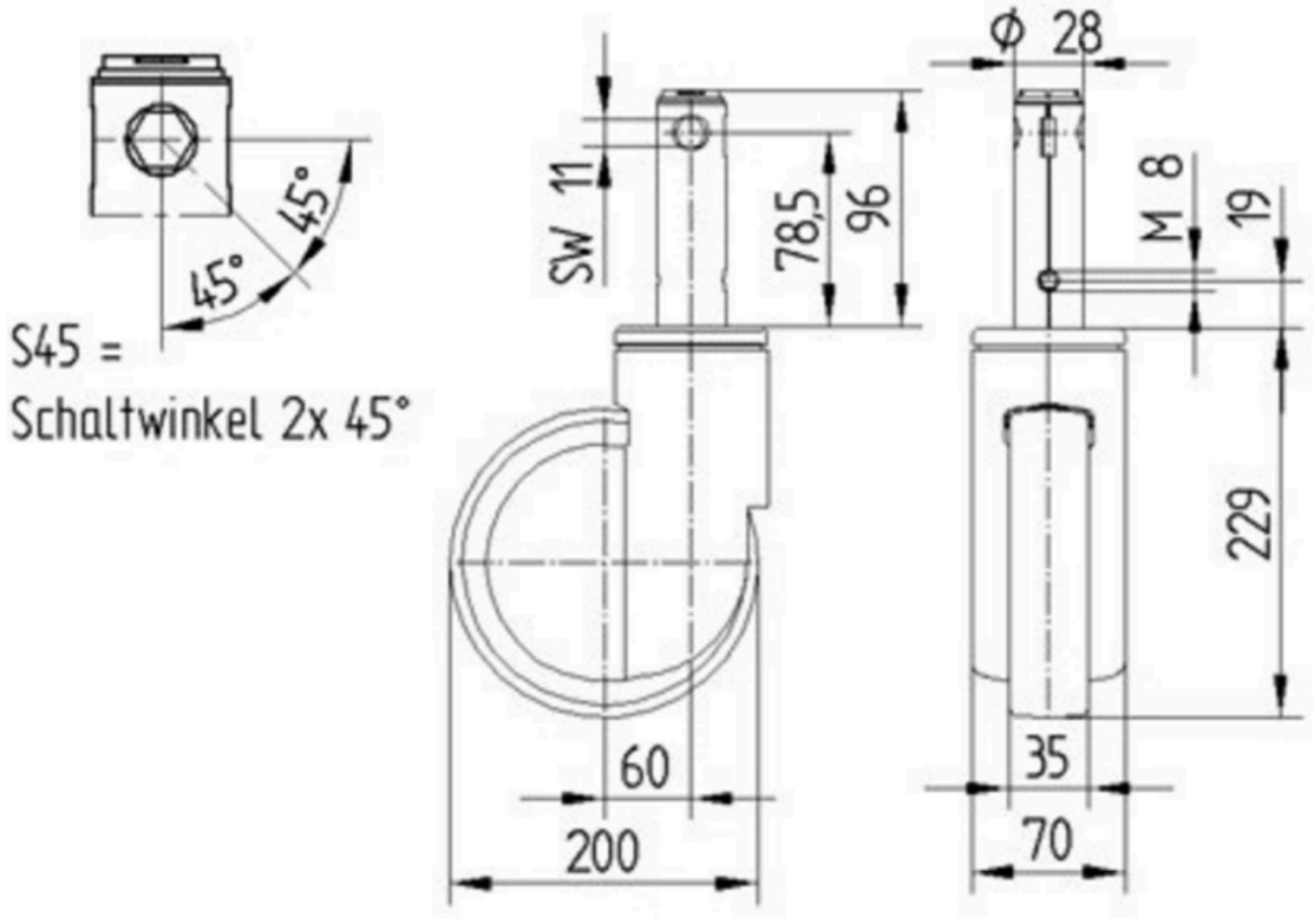
2044XSX200R26-28S45 D 9002 4xM8 W

EAN 4031582341881

Order number 00037272
Product Drawings



BETTER MOBILITY. BETTER LIFE.



IF Design Award



Red Dot Design Award