

INTEGRAL

2046XSX125R26-28S45 D 9002 W

EAN 4031582341164
Order number 00030908



BETTER MOBILITY. BETTER LIFE.



Image may differ from the original product

PERFORMANCE

Roll performance	● ● ● ○ ○
Movement noise	● ● ● ○ ○
Attrition	● ● ● ● ○
Corrosion resistance	● ● ● ○ ○

CORE ATTRIBUTES

Product name	Integral
Type	Swivel castor with central , total lock
Standard	EN12531 - Hospital Bed Castors
Load capacity at 1.8 mph	330.69 lb
Load capacity at 2.5 mph	330.69 lb
Electric conductive	✓
Load capacity Static	992.08 lb
Temperature range (Minimum)	-13 °F
Temperature range (Maximum)	176 °F
Overall height	6.22 in
Overall width	2.44 in
Overall weight	2.18 lb
Certification	Tested and monitored by TÜV Süd

WHEEL

Body material	Polyamide, electric conductive
Tread material	Polyurethane, injected, electric-conductive
Bearing	Precision ball bearing, sealed
Tread color	Slate gray (similar RAL7015)
Wheel color	Slate gray (RAL7015)
Threadguards	Integrated threadguard
Diameter	4.92 in
Tread width	1.26 in
Body width	1.26 in
Hardness of tread (A)	91 Shore A
Hardness of tread (D)	40 Shore D

HOUSING

Material	Steel sheet, medium
Fork shape	Closed
Swivel bearing	Precision ball bearing
Color	Gray white (RAL9002)
Offset	1.38 in
Swivel radius	3.84 in
Swivel interference	7.68 in
Dome diameter	2.44 in

FITTING

Fitting type	Stem with cam hole for profile bars
Bolt diameter	1.1 in
Bolt length	3.78 in
Bolt thread position	0.75 in
Bolt mounting holes quantity	2
Hint	Washable beds must be sealed in the fitting area by the hospital bed manufacturer.

ADDITIONAL INFORMATION

Washable according AK-BWA



IF Design Award



Red Dot Design Award

INTEGRAL

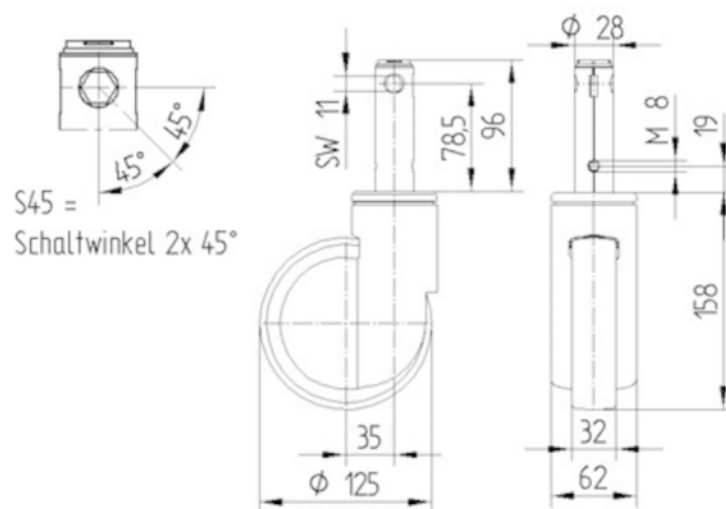
2046XSX125R26-28S45 D 9002 W

EAN 4031582341164
Order number 00030908



BETTER MOBILITY. BETTER LIFE.

TECHNICAL DRAWINGS



IF
Design
Award



Red Dot
Design
Award