

LINEA LOAD

5940UAP050L51-8 load 9002

EAN 4031582431094



BETTER MOBILITY. BETTER LIFE.



Image may differ from the original product

PERFORMANCE

| | |
|----------------------|-----------|
| Roll Performance | ● ● ● ● ● |
| Movement Noise | ● ● ● ● ○ |
| Attrition | ● ● ● ● ● |
| Corrosion Resistance | ● ● ● ● ○ |

CORE ATTRIBUTES

| | |
|-----------------------------|---------------------------|
| Product Name | Linea load |
| Type | Swivel castor |
| Standard | EN12530 - Devices Castors |
| Load capacity at 3 km/h | 100 kg |
| Electric Conductive | No |
| Stainless | No |
| Load capacity Static | 200 kg |
| Temperature range (Minimum) | -10 °C |
| Temperature range (Maximum) | 40 °C |
| Overall Height | 50.5 mm |
| Overall width | 47.5 mm |
| Overall weight | 0.09 kg |

HOUSING

| | |
|---------------------|------------------------|
| Housing Material | Polyamide |
| Fork shape | Twin wheel housing |
| Swivel Bearing | Precision ball bearing |
| Swivel radius | 40.5 mm |
| Swivel interference | 81 mm |
| Dome diameter | 23 mm |

WHEEL

| | |
|-----------------------|------------------------|
| Body material | Polyamide |
| Tread Material Mix | Polyurethane, injected |
| Bearing | Precision ball bearing |
| Threadguards | With threadguard |
| Diameter | 50 mm |
| Tread width | 13 mm |
| Hardness of tread (A) | 92 Shore A |

FITTING

| | |
|--------------------|--------------------|
| Fitting type | Blind hole for B10 |
| Bolt hole diameter | 8 mm |



Deutscher
Designer
Club



Interzum
Award



product
design
award

IF Design
Award

LINEA LOAD

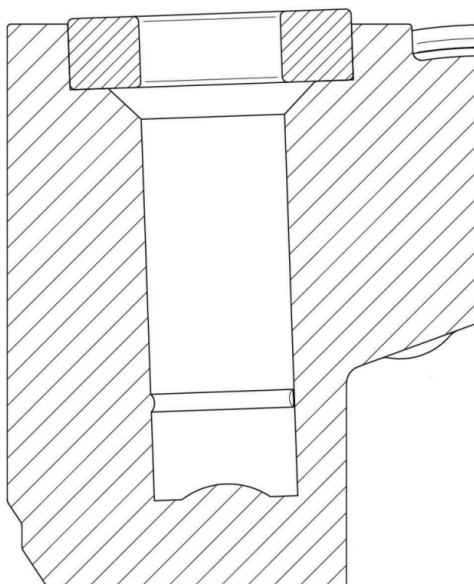
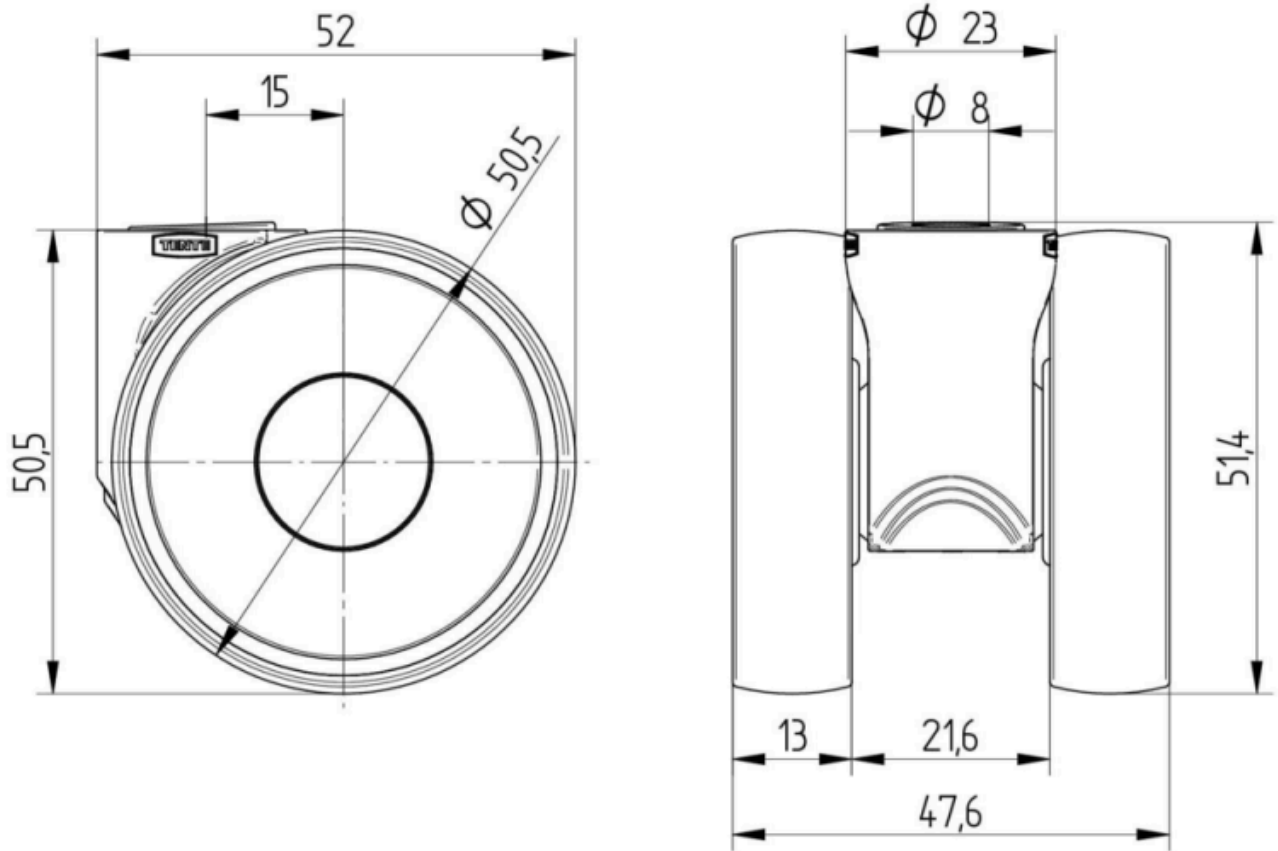
5940UAP050L51-8 load 9002

EAN 4031582431094



BETTER MOBILITY. BETTER LIFE.

Product Drawings



Deutscher Designer Club



Interzum Award



IF Design Award



product design award