

ALPHA

3478PVR125P63 CL60 OH161

EAN 4031582306804
Order number 00007006



BETTER MOBILITY. BETTER LIFE.



Image may differ from the original product

PERFORMANCE

Roll performance	● ● ● ○ ○
Movement noise	● ● ● ● ○
Attrition	● ● ● ○ ○
Corrosion resistance	● ● ● ○ ○

CORE ATTRIBUTES

Product name	Alpha
Type	Fixed castor
Standard	EN12532 - Transport Equipment
Load capacity at 4 km/h	100 kg
Load capacity Static	200 kg
Temperature range (Minimum)	-20 °C
Temperature range (Maximum)	60 °C
Overall height	161 mm
Overall width	115 mm
Overall weight	1.305 kg

WHEEL

Body material	Polypropylene
Tread material	Solid rubber, black
Bearing	Roller bearing
Axle	Screwed with nut
Wheel color	Graphite black (RAL9011)
Threadguards	Without threadguard
Diameter	125 mm
Tread width	37 mm
Body width	37 mm
Hardness of tread (A)	80 Shore A

HOUSING

Material fork	Steel sheet, heavy
Fork shape	Broad
Colour	Blue passivated

FITTING

Fitting type	Medium rectangular plate
Plate length	137 mm
Plate width	115 mm
Plate hole length (Minimum)	75 mm
Plate hole length (Maximum)	80 mm
Plate hole width (Minimum)	75 mm
Plate hole width (Maximum)	105 mm
Plate hole diameter	11 mm

ALPHA

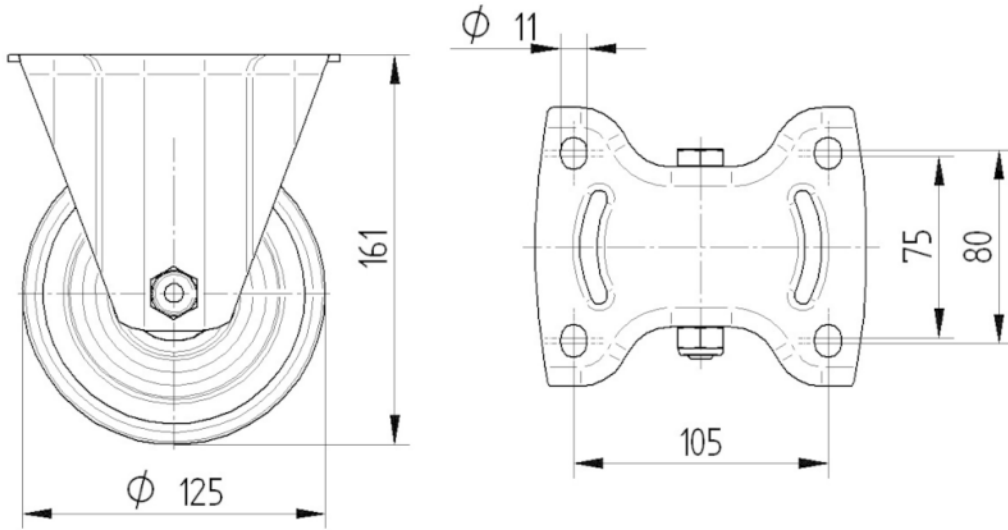
3478PVR125P63 CL60 OH161

EAN 4031582306804
Order number 00007006



BETTER MOBILITY. BETTER LIFE.

TECHNICAL DRAWINGS



8478UAD125 P63

