

LINEA SAFETY

592DUAP100L51-11 RAL9002

EAN 4031582415353



BETTER MOBILITY. BETTER LIFE.



Image may differ from the original product

PERFORMANCE

Roll performance	● ● ● ○ ○
Movement noise	● ● ● ○ ○
Attrition	● ● ● ○ ○
Corrosion resistance	● ● ● ● ○

CORE ATTRIBUTES

Product name	Linea safety
Type	Automatic locking system
Standard	EN12528 - Furniture Castors
Load capacity at 3 km/h	100 kg
Load capacity Static	200 kg
Temperature range (Minimum)	-20 °C
Temperature range (Maximum)	60 °C
Overall height	100 mm
Overall width	73 mm

WHEEL

Body material	Polyamide
Tread material	Polyurethane, injected
Bearing	Precision ball bearing
Threadguards	With threadguard
Diameter	100 mm
Tread width	20 mm

HOUSING

Material fork	Polyamide
Fork shape	Twin wheel housing
Swivel bearing	Stem, swiveling
Colour	Grey white (RAL9002)
Swivel radius	88 mm
Swivel interference	176 mm
Dome diameter	40 mm

FITTING

Fitting type	Blind hole for B10
Bolt hole diameter	11 mm

LINEA SAFETY

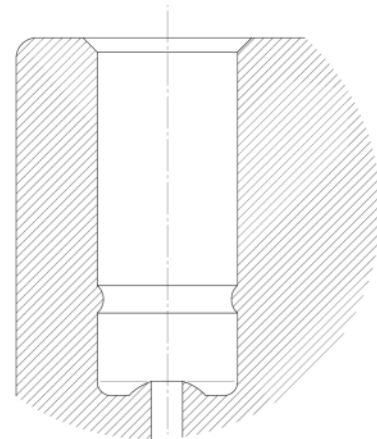
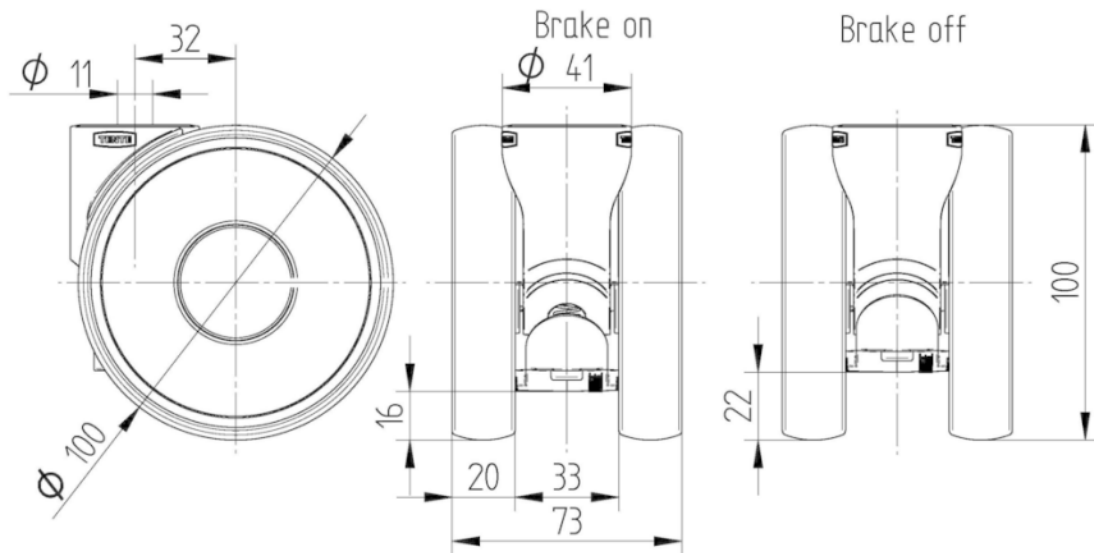
592DUAP100L51-11 RAL9002

EAN 4031582415353



BETTER MOBILITY. BETTER LIFE.

TECHNICAL DRAWINGS



Deutscher
Designer
Club



Interzum
Award



IF
Design
Award