

INTEGRAL STAINLESS

7040XSX150R05-28

EAN 4031582342253



Image may differ from the original product

PERFORMANCE

Roll performance	●●●○○
Movement noise	●●●○○
Attrition	●●●○○
Corrosion resistance	●●●●●

CORE ATTRIBUTES

Product name	Integral stainless
Type	Swivel castor
Standard	similar EN12531- Hospital Bed Castors
Load capacity at 3 km/h	150 kg
Load capacity at 4 km/h	150 kg
Electric conductive	✓
Stainless	✓
Load capacity Static	300 kg
Temperature range (Minimum)	-30 °C
Temperature range (Maximum)	80 °C
Overall height	183 mm
Certification	Tested and monitored by TÜV Süd

WHEEL

Body material	Polyamide, electric conductive
Tread material	Polyurethane, injected, electric-conductive
Bearing	Precision ball bearing, sealed
Threadguards	Integrated threadguard
Diameter	150 mm
Tread width	32 mm
Hardness of tread (D)	40 Shore D

HOUSING

Material fork	Stainless steel, medium
Fork shape	Closed
Swivel bearing	Precision ball bearing
Offset	40 mm
Swivel radius	115 mm
Swivel interference	230 mm

FITTING

Fitting type	Solid stem, round
Bolt diameter	28 mm
Bolt length	45 mm
Hint	Washable beds must be sealed in the fitting area by the hospital bed manufacturer.



IF
Design
Award



Red Dot
Design
Award

INTEGRAL STAINLESS

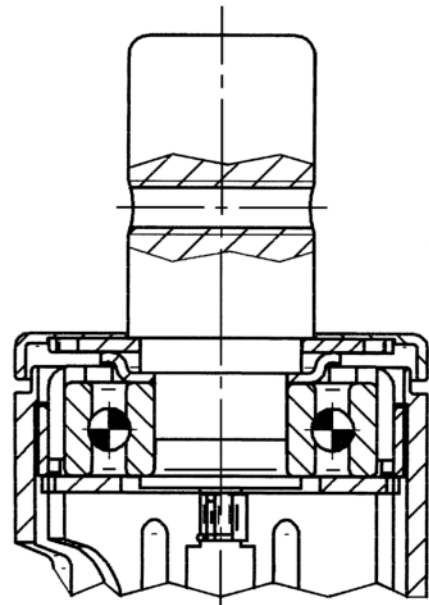
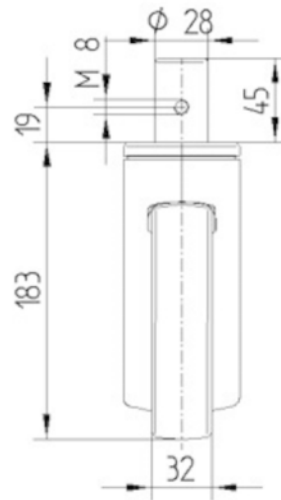
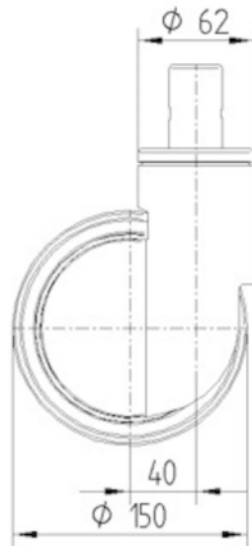
7040XSX150R05-28

EAN 4031582342253



BETTER MOBILITY. BETTER LIFE.

TECHNICAL DRAWINGS



IF
Design
Award



Red Dot
Design
Award