

LINEA SAFETY

592DUAP100L51-11 7001/7015

EAN 4031582399363



BETTER MOBILITY. BETTER LIFE.



Image may differ from the original product

PERFORMANCE

Roll Performance	● ● ● ● ○ ○
Movement Noise	● ● ● ● ○ ○
Attrition	● ● ● ● ○ ○
Corrosion Resistance	● ● ● ● ○ ○

CORE ATTRIBUTES

Product Name	Linea safety
Type	Automatic locking system
Standard	EN12528 - Furniture Castors
Load capacity at 3 km/h	100 kg
Electric Conductive	No
Stainless	No
Load capacity Static	200 kg
Temperature range (Minimum)	-20 °C
Temperature range (Maximum)	60 °C
Overall Height	100 mm
Overall width	73 mm
Overall weight	0.41 kg

HOUSING

Housing Material	Polyamide
Fork shape	Twin wheel housing
Swivel Bearing	Stem, swiveling
Housing Color	Silver grey (RAL7001)
Offset	32 mm
Swivel radius	88 mm
Swivel interference	176 mm
Dome diameter	41 mm

WHEEL

Body material	Polyamide
Tread Material Mix	Polyurethane, injected
Bearing	Precision ball bearing
Tread Color	Slate grey (RAL7015)
Wheel Color	Slate grey (RAL7015)
Threadguards	With threadguard
Diameter	100 mm
Tread width	20 mm
Axle Hole Diameter	0 mm
Hub Length	0 mm
Body width	20 mm
Hardness of tread (A)	92 Shore A

FITTING

Fitting type	Blind hole for B10
Bolt hole diameter	11 mm



Deutscher
Designer
Club



Interzum
Award



IF Design
Award

product
design
award

LINEA SAFETY

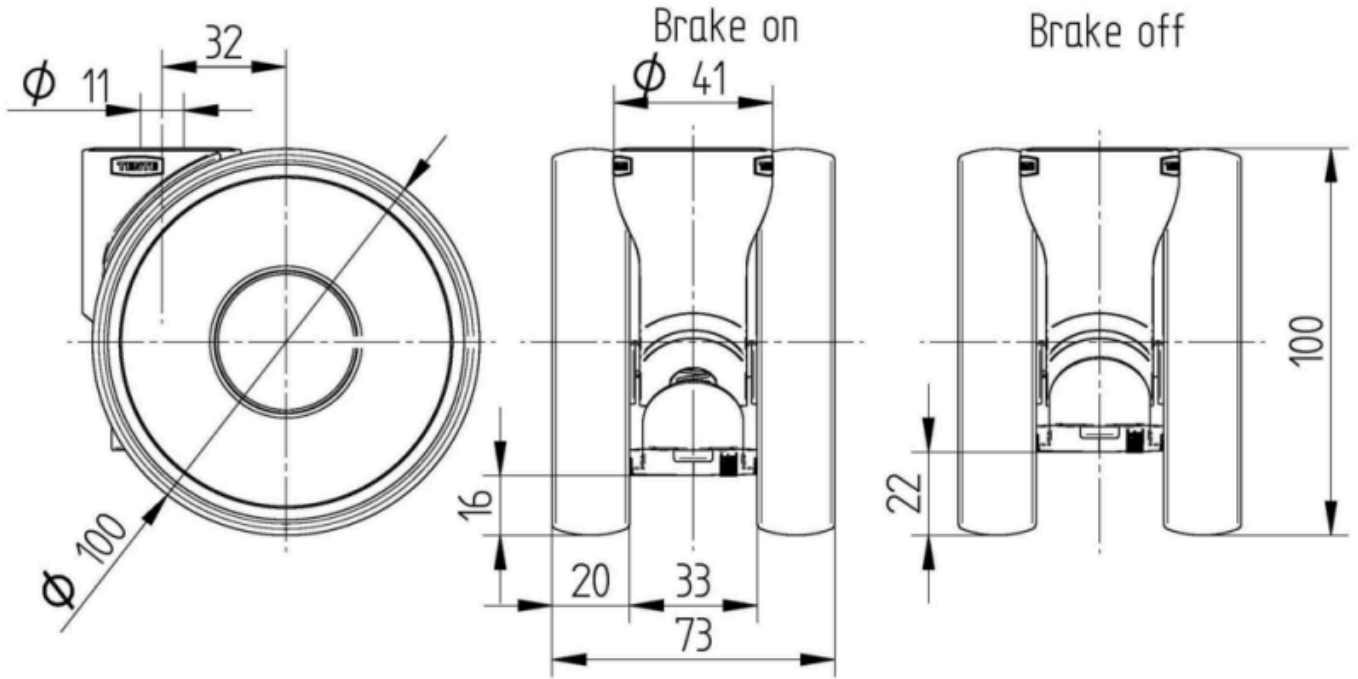
592DUAP100L51-11 7001/7015

EAN 4031582399363

Order number 00771682
Product Drawings



BETTER MOBILITY. BETTER LIFE.



Deutscher
Designer
Club



Interzum
Award



product
design
award

IF Design
Award