

LINEA LIGHT

5920UAP100L51-11 7001/7015

EAN 4031582350616



BETTER MOBILITY. BETTER LIFE.



Image may differ from the original product

PERFORMANCE

Roll Performance	● ● ● ● ○ ○
Movement noise	● ● ● ● ○ ○
Attrition	● ● ● ● ○ ○
Corrosion resistance	● ● ● ● ○ ○

CORE ATTRIBUTES

Product name	Linea light
Type	Swivel caster
Standard	EN12528 - Furniture Castors
Load capacity at 1.8 mph	220.46 lb
Electric conductive	no
Stainless	no
Load capacity Static	440.92 lb
Temperature range (Minimum)	14 °F
Temperature range (Maximum)	104 °F
Overall height	3.94 in
Overall width	2.87 in
Overall weight	0.83 lb

HOUSING

Housing Material	Polyamide
Fork shape	Twin wheel housing
Swivel bearing	Stem, swiveling
Housing Color	Silver gray (RAL7001)
Offset	1.26 in
Swivel radius	3.46 in
Swivel interference	6.93 in
Dome diameter	1.61 in

WHEEL

Body material	Polyamide
Tread material	Polyurethane, injected
Bearing	Precision ball bearing
Tread color	Slate gray (RAL7015)
Wheel color	Slate gray (RAL7015)
Threadguards	With threadguard
Diameter	3.94 in
Tread width	0.79 in
Axle hole diameter	0 in
Hub length	0 in
Body width	0.79 in
Hardness of tread (A)	92 Shore A

FITTING

Fitting type	Blind hole for B10 fitting
Bolt hole diameter	0.43 in



Deutscher Designer Club



Interzum Award



IF Design Award

product design award

LINEA LIGHT

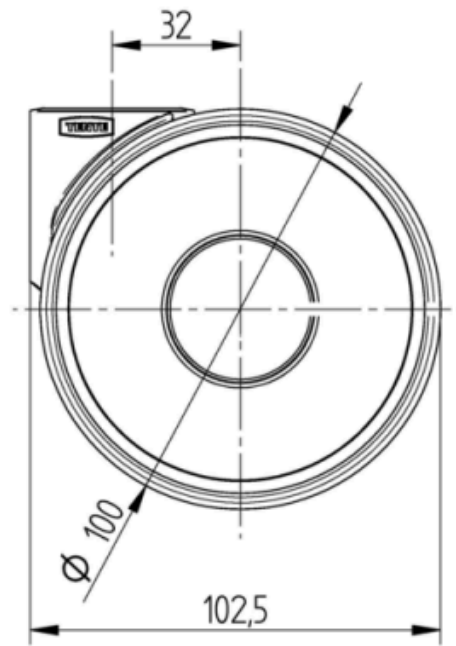
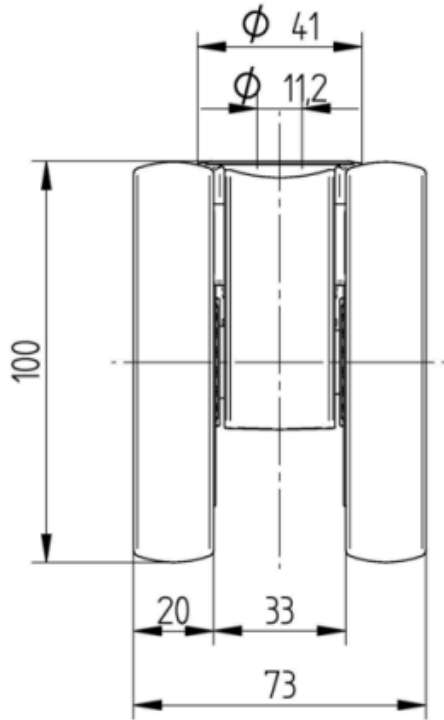
5920UAP100L51-11 7001/7015

EAN 4031582350616

Order number 00079829
Product Drawings



BETTER MOBILITY. BETTER LIFE.



Deutscher Designer Club



Interzum Award



product design award

IF Design Award