

INTEGRAL

2046UAP125R26-28S45 D 9002 4XM8

EAN 4031582300222
Order number 00030920



BETTER MOBILITY. BETTER LIFE.



Image may differ from the original product

PERFORMANCE

Roll performance	● ● ● ○ ○
Movement noise	● ● ● ○ ○
Attrition	● ● ● ● ○
Corrosion resistance	● ● ● ○ ○

CORE ATTRIBUTES

Product name	Integral
Type	Swivel castor with central , total lock
Standard	EN12531 - Hospital Bed Castors
Load capacity at 1.8 mph	330.69 lb
Load capacity at 2.5 mph	330.69 lb
Load capacity Static	992.08 lb
Temperature range (Minimum)	-13 °F
Temperature range (Maximum)	176 °F
Overall height	6.22 in
Overall width	2.44 in
Overall weight	2.14 lb
Certification	Tested and monitored by TÜV Süd

WHEEL

Body material	Polyamide
Tread material	Polyurethane, injected
Bearing	Precision ball bearing
Tread color	Slate gray (RAL7015)
Wheel color	Slate gray (RAL7015)
Threadguards	Integrated threadguard
Diameter	4.92 in
Tread width	1.26 in
Body width	1.26 in
Hardness of tread (A)	92 Shore A
Hardness of tread (D)	42 Shore D

HOUSING

Material	Steel sheet, medium
Fork shape	Closed
Swivel bearing	Precision ball bearing
Color	Gray white (RAL9002)
Offset	1.38 in
Swivel radius	3.84 in
Swivel interference	7.68 in
Dome diameter	2.44 in

FITTING

Fitting type	Stem with cam hole for profile bars
Bolt diameter	1.1 in
Bolt length	3.78 in
Bolt thread position	0.75 in
Bolt mounting holes quantity	4



IF
Design
Award



Red Dot
Design
Award

INTEGRAL

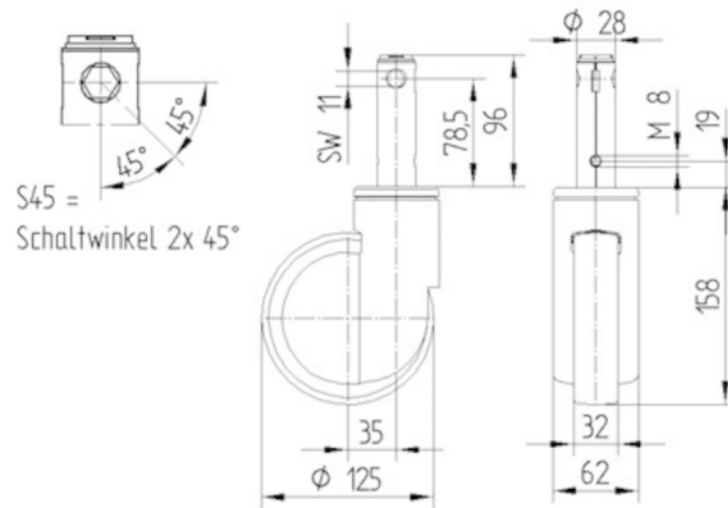
2046UAP125R26-28S45 D 9002 4XM8

EAN 4031582300222
Order number 00030920



BETTER MOBILITY. BETTER LIFE.

TECHNICAL DRAWINGS



IF
Design
Award



Red Dot
Design
Award