

PRODUCT INFORMATION

NOVATECH

ITP100x40-Ø12 HL26 flat

EAN 4031582487916



BETTER MOBILITY. BETTER LIFE.



Image may differ from the original product

WHEEL

Tread profile	flat
Body material	Aluminium
Tread Material Mix	Polyurethane, casted
Bearing	Precision ball bearing
Threadguards	Without threadguard
Diameter	100 mm
Tread width	40 mm
Axle Hole Diameter	12 mm
Hub Length	26 mm
Hardness of tread (A)	92 Shore A
Hardness of tread (D)	42 Shore D

PERFORMANCE

Roll Performance	● ● ● ● ○ ○
Movement Noise	● ● ● ● ○ ○
Attrition	● ● ● ● ● ○
Corrosion Resistance	● ● ● ● ○ ○

CORE ATTRIBUTES

Product Name	Novatech
Type	Wheel
Standard	EN12532 - Transport Equipment
Load capacity at 4 km/h	300 kg
Load capacity at 6 km/h	240 kg
Electric Conductive	No
Stainless	No
Load capacity Static	600 kg
Temperature range (Minimum)	-20 °C
Temperature range (Maximum)	60 °C
Overall weight	0.33 kg

NOVATECH

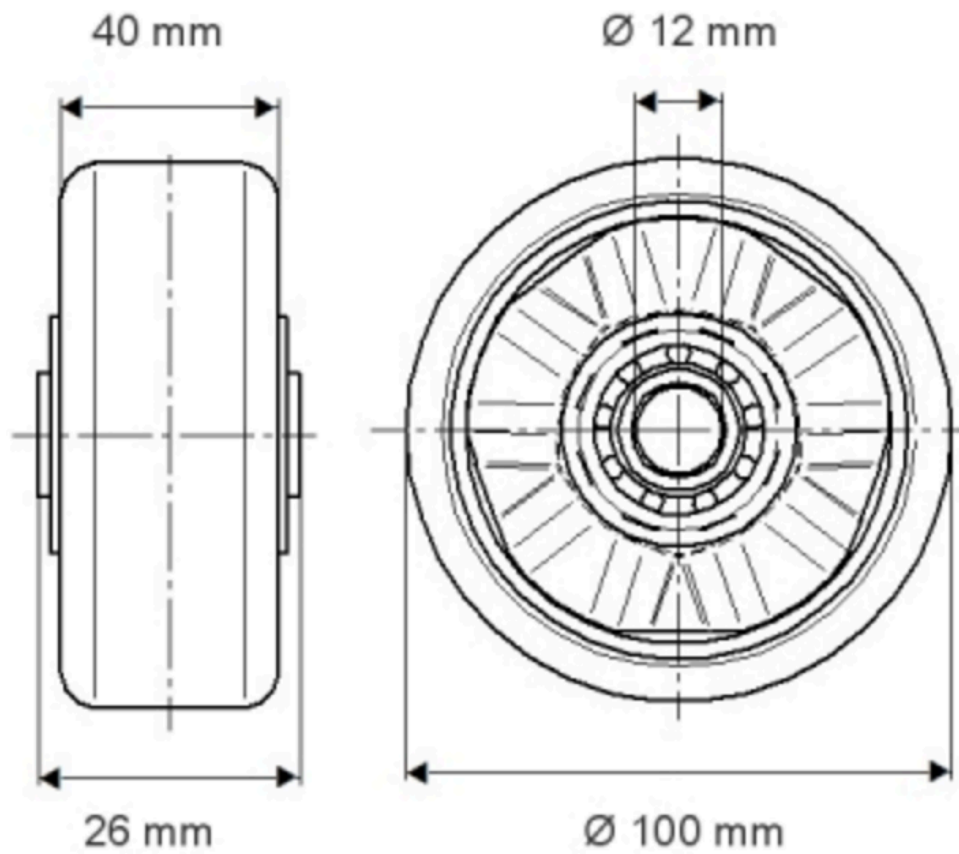
ITP100x40-Ø12 HL26 flat

EAN 4031582487916



BETTER MOBILITY. BETTER LIFE.

Product Drawings

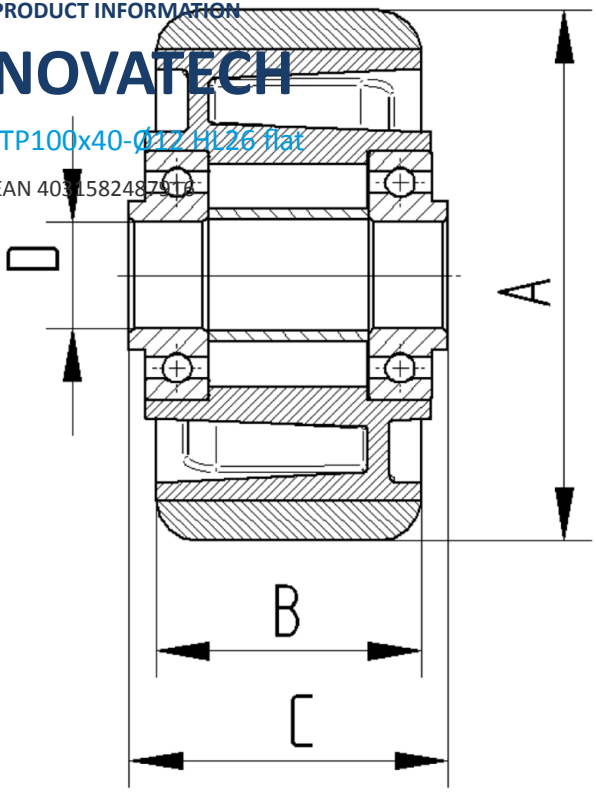


PRODUCT INFORMATION

NOVATECH

ITP100x40-Ø12 H126 flat

EAN 4031582487914



BETTER MOBILITY. BETTER LIFE.