

# LINEA E-LOCK

594EUSP150R36-32 N RAL9002

EAN 4031582489309  
Order number 00065310



BETTER MOBILITY. BETTER LIFE.



Image may differ from the original product

## PERFORMANCE

Roll performance	● ● ● ● ●
Movement noise	● ● ● ● ○
Attrition	● ● ● ● ○
Corrosion resistance	● ● ● ○ ○

## CORE ATTRIBUTES

Product name	Linea E-Lock
Type	Swivel castor with electric locking system
Standard	EN12531 - Hospital Bed Castors
Load capacity at 3 km/h	150 kg
Load capacity at 4 km/h	150 kg
Electric conductive	✓
Stainless	✓
Load capacity Static	300 kg
Temperature range (Minimum)	-10 °C
Temperature range (Maximum)	40 °C
Overall height	155 mm
Overall width	71 mm
Overall weight	1.516 kg

## WHEEL

Body material	Polyamide
Tread material	Polyurethane, injected, electric-conductive
Bearing	Precision ball bearing
Wheel color	Grey white (RAL9002)
Threadguards	With threadguard
Diameter	150 mm
Tread width	15 mm
Body width	15 mm
Hardness of tread (A)	92 Shore A
Hardness of tread (D)	42 Shore D

## HOUSING

Material fork	Polyamide
Fork shape	Twin wheel housing
Swivel bearing	Precision ball bearing
Colour	Grey white (RAL9002)
Offset	47.5 mm
Swivel radius	127 mm
Swivel interference	254 mm
Dome diameter	45.5 mm

## FITTING

Fitting type	Stem with cam hole for profile bars, short version
Bolt diameter	32 mm
Bolt length	50 mm
Bolt thread position	7 mm
Bolt mounting holes quantity	2

## ADDITIONAL INFORMATION

IPX4 in assembled position



Deutscher Designer Club



Interzum Award



IF Design Award

# LINEA E-LOCK

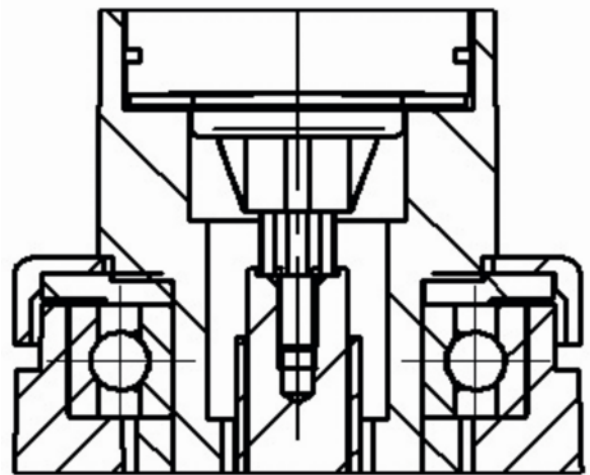
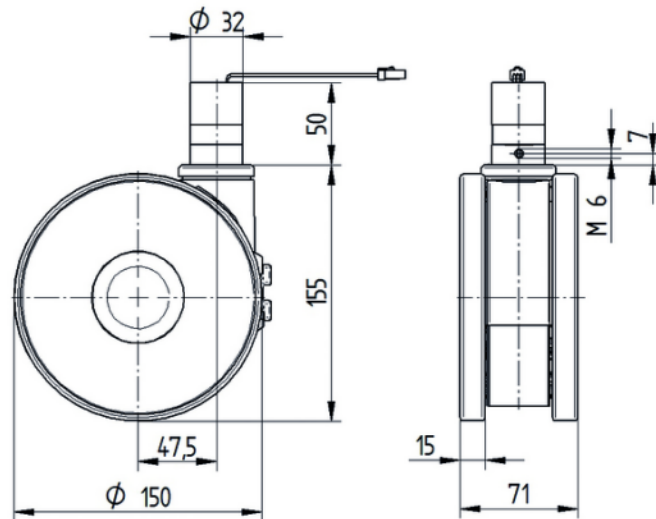
594EUSP150R36-32 N RAL9002

EAN 4031582489309  
Order number 00065310



BETTER MOBILITY. BETTER LIFE.

## TECHNICAL DRAWINGS



Deutscher  
Designer  
Club



Interzum  
Award



IF  
Design  
Award