

PRODUCT INFORMATION

# ULTRATECH PLUS

FCP200x50-Ø20 plus

EAN 4031582445206



BETTER MOBILITY. BETTER LIFE.



Image may differ from the original product

## WHEEL

Body material	Casting
Tread material	Ultratech Polyurethane, casted
Bearing	Precision ball bearing
Threadguards	With threadguard
Diameter	7.87 in
Tread width	1.97 in
Axle hole diameter	0.79 in
Hub length	2.36 in
Hardness of tread (A)	92 Shore A

## PERFORMANCE

Roll Performance	●●●●○
Movement noise	●●●○○
Attrition	●●●●○
Corrosion resistance	●●●○○

## CORE ATTRIBUTES

Product name	Ultratech plus
Type	Wheel
Standard	EN12532 - Transport Equipment
Load capacity at 2.5 mph	1763.7 lb
Load capacity at 3.7 mph	1410.96 lb
Electric conductive	no
Stainless	no
Load capacity Static	3527.39 lb
Temperature range (Minimum)	-4 °F
Temperature range (Maximum)	140 °F
Overall weight	2.87 lb

# ULTRATECH PLUS

FCP200x50-Ø20 plus

EAN 4031582445206



BETTER MOBILITY. BETTER LIFE.

## Product Drawings

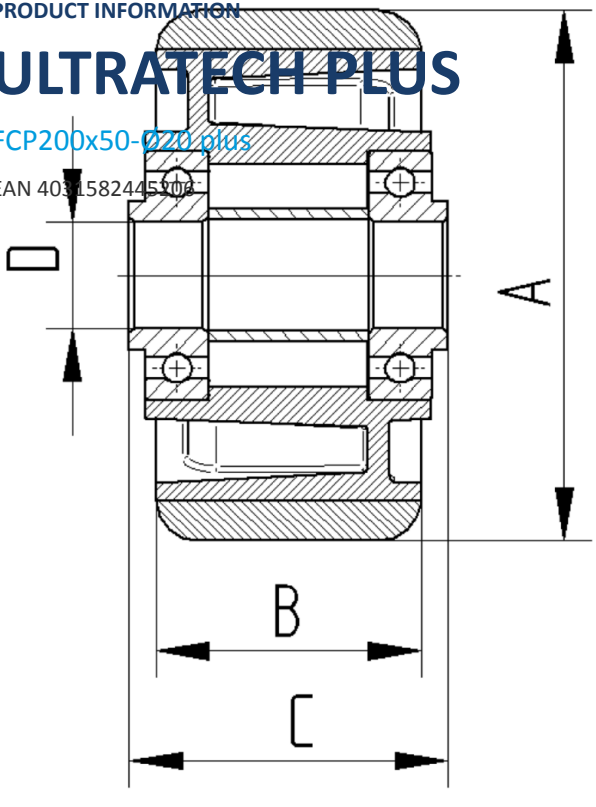


PRODUCT INFORMATION

# ULTRATECH PLUS

FCP200x50-Ø20 plus

EAN 4031582445708



BETTER MOBILITY. BETTER LIFE.