

# LINEA LOAD

5945UAP050L51-8 load 9011

EAN 4031582421620



BETTER MOBILITY. BETTER LIFE.



Image may differ from the original product

## PERFORMANCE

|                      |             |
|----------------------|-------------|
| Roll Performance     | ● ● ● ● ● ● |
| Movement Noise       | ● ● ● ● ○   |
| Attrition            | ● ● ● ● ● ● |
| Corrosion Resistance | ● ● ● ● ● ○ |

## CORE ATTRIBUTES

|                             |                                |
|-----------------------------|--------------------------------|
| Product Name                | Linea load                     |
| Type                        | Swivel castor with wheel brake |
| Standard                    | EN12530 - Devices Castors      |
| Load capacity at 3 km/h     | 100 kg                         |
| Electric Conductive         | No                             |
| Stainless                   | No                             |
| Load capacity Static        | 200 kg                         |
| Temperature range (Minimum) | -10 °C                         |
| Temperature range (Maximum) | 40 °C                          |
| Overall Height              | 50 mm                          |
| Overall width               | 47.5 mm                        |
| Overall weight              | 0.09 kg                        |

## HOUSING

|                     |                          |
|---------------------|--------------------------|
| Housing Material    | Polyamide                |
| Fork shape          | Twin wheel housing       |
| Swivel Bearing      | Precision ball bearing   |
| Housing Color       | Graphite black (RAL9011) |
| Swivel radius       | 51 mm                    |
| Swivel interference | 102 mm                   |
| Dome diameter       | 23 mm                    |

## WHEEL

|                       |                        |
|-----------------------|------------------------|
| Body material         | Polyamide              |
| Tread Material Mix    | Polyurethane, injected |
| Bearing               | Precision ball bearing |
| Threadguards          | With threadguard       |
| Diameter              | 50 mm                  |
| Tread width           | 13 mm                  |
| Hardness of tread (A) | 92 Shore A             |

## FITTING

|                    |                    |
|--------------------|--------------------|
| Fitting type       | Blind hole for B10 |
| Bolt hole diameter | 8 mm               |



Deutscher Designer Club



Interzum Award



IF Design Award

product design award

# LINEA LOAD

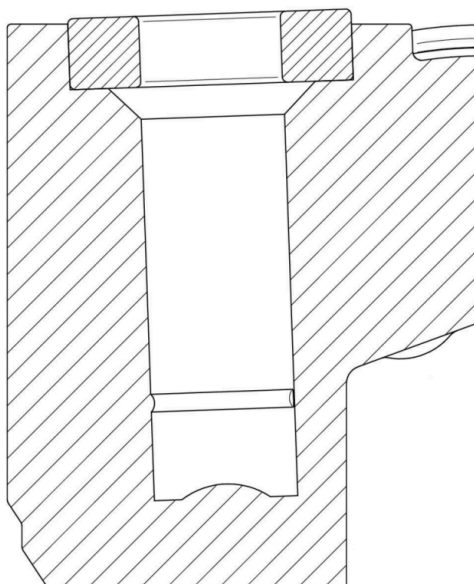
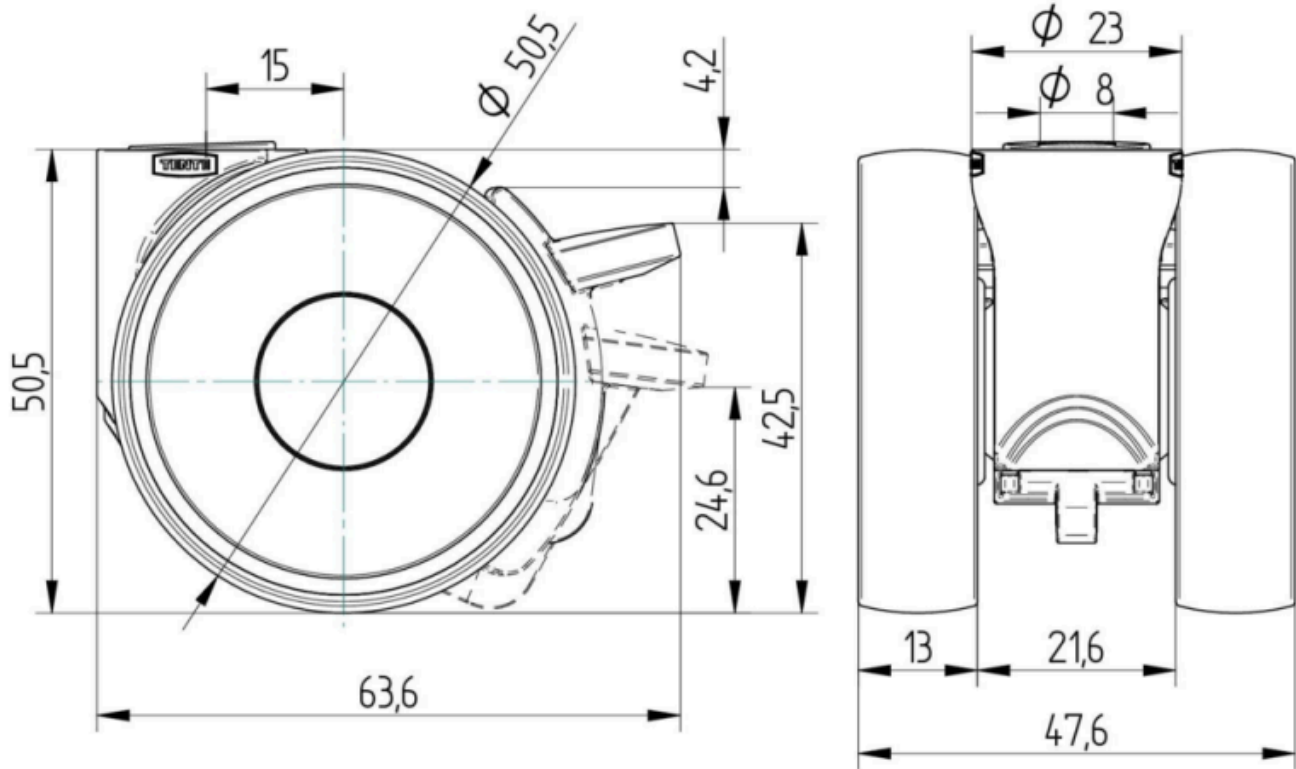
5945UAP050L51-8 load 9011

EAN 4031582421620



BETTER MOBILITY. BETTER LIFE.

## Product Drawings



Deutscher Designer Club



Interzum Award



product design award

IF Design Award