

# LINEA LOAD

5945UAP050L51-8 load 9002

EAN 4031582430233



BETTER MOBILITY. BETTER LIFE.



Image may differ from the original product

## PERFORMANCE

Roll Performance	● ● ● ● ● ●
Movement Noise	● ● ● ● ○
Attrition	● ● ● ● ● ●
Corrosion Resistance	● ● ● ● ● ○

## CORE ATTRIBUTES

Product Name	Linea load
Type	Swivel castor with wheel brake
Standard	EN12530 - Devices Castors
Load capacity at 3 km/h	100 kg
Electric Conductive	No
Stainless	No
Load capacity Static	200 kg
Temperature range (Minimum)	-10 °C
Temperature range (Maximum)	40 °C
Overall Height	50 mm
Overall width	47.5 mm
Overall weight	0.09 kg

## HOUSING

Housing Material	Polyamide
Fork shape	Twin wheel housing
Swivel Bearing	Precision ball bearing
Swivel radius	51 mm
Swivel interference	102 mm
Dome diameter	23 mm

## WHEEL

Body material	Polyamide
Tread Material Mix	Polyurethane, injected
Bearing	Precision ball bearing
Threadguards	With threadguard
Diameter	50 mm
Tread width	13 mm
Hardness of tread (A)	92 Shore A

## FITTING

Fitting type	Blind hole for B10
Bolt hole diameter	8 mm



Deutscher  
Designer  
Club



Interzum  
Award



product  
design  
award

IF Design  
Award

# LINEA LOAD

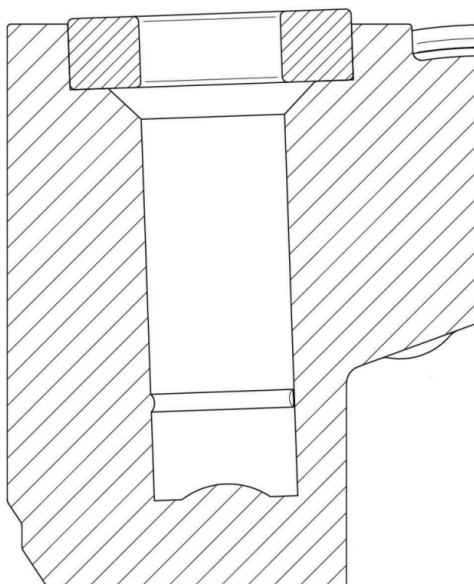
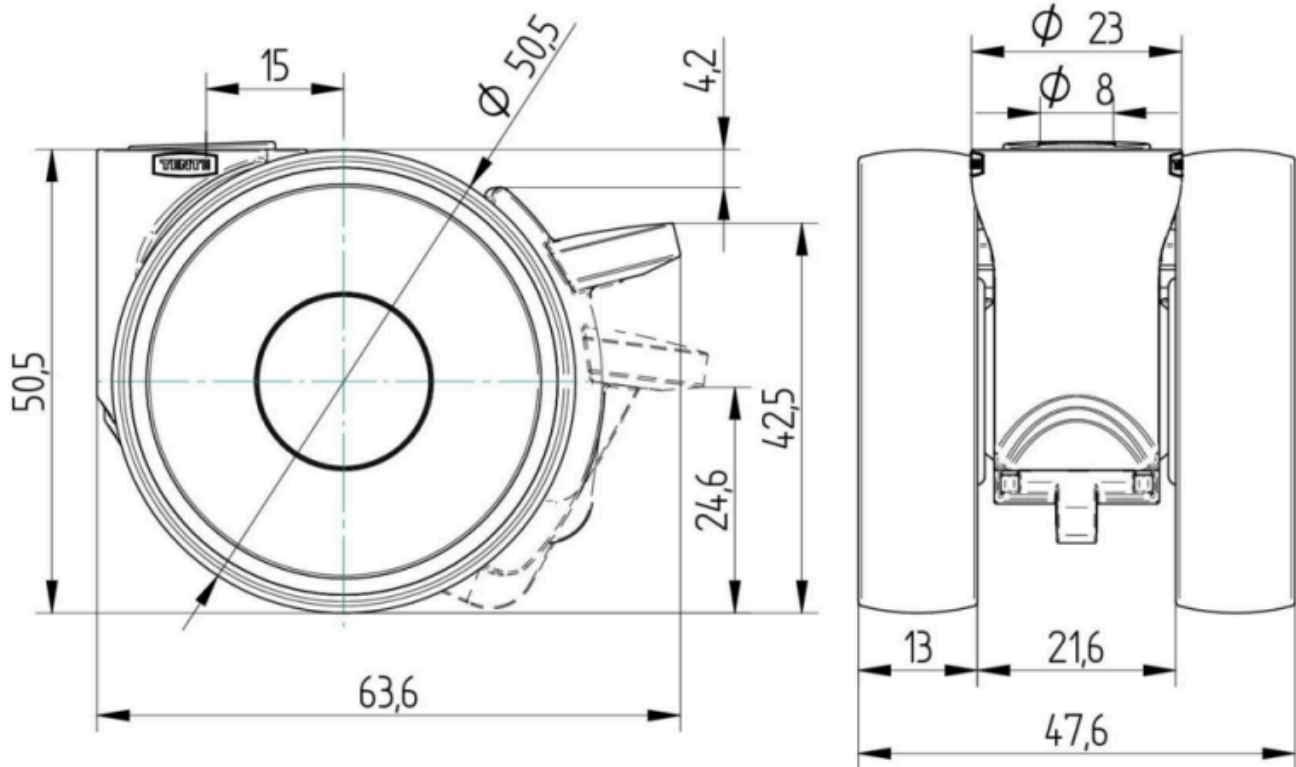
5945UAP050L51-8 load 9002

EAN 4031582430233



BETTER MOBILITY. BETTER LIFE.

## Product Drawings



Deutscher Designer Club



Interzum Award



IF Design Award

product design award