

# DURATECH

TOP 200x50-Ø25 HL60

EAN 4031582322736



BETTER MOBILITY. BETTER LIFE.



Image may differ from the original product

## WHEEL

Body material	Polyamide, heavy
Tread Material Mix	Identical with wheel body
Bearing	Precision ball bearing
Wheel Color	Natural white
Threadguards	Without threadguard
Diameter	200 mm
Tread width	50 mm
Axle Hole Diameter	25 mm
Hub Length	60 mm
Body width	50 mm
Hardness of tread (D)	75 Shore D
Bearing type	6205

## PERFORMANCE

Roll Performance	● ● ● ● ●
Movement Noise	● ● ○ ○ ○
Attrition	● ● ● ● ●
Corrosion Resistance	● ● ● ○ ○

## CORE ATTRIBUTES

Product Name	Duratech
Type	Wheel
Standard	EN12533 - Heavy Duty Castors
Load capacity at 4 km/h	1200 kg
Load capacity at 6 km/h	1000 kg
Electric Conductive	No
Stainless	No
Load capacity Static	1600 kg
Temperature range (Minimum)	-40 °C
Temperature range (Maximum)	80 °C
Overall weight	1.6 kg

# DURATECH

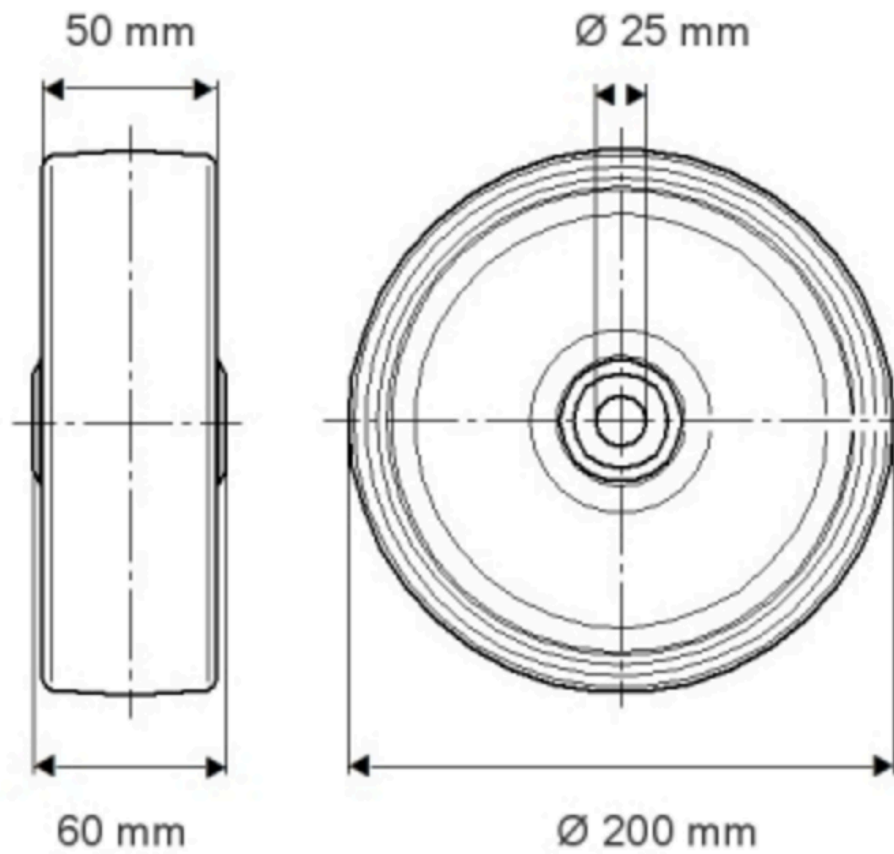
TOP 200x50-Ø25 HL60

EAN 4031582322736

Order number 00802937  
Product Drawings



BETTER MOBILITY. BETTER LIFE.



PRODUCT INFORMATION

# DURATECH

TOP 200x50-Ø25 HL60

EAN 4031582322736

Order number 00807137



BETTER MOBILITY. BETTER LIFE.

