

LINEA

5947UAC125P52 RAL9002

EAN 4031582353112



BETTER MOBILITY. BETTER LIFE.



Image may differ from the original product

PERFORMANCE

| | |
|----------------------|-----------|
| Roll performance | ● ● ● ● ● |
| Movement noise | ● ● ● ○ ○ |
| Attrition | ● ● ● ● ○ |
| Corrosion resistance | ● ● ● ● ○ |

CORE ATTRIBUTES

| | |
|-----------------------------|-------------------------------|
| Product name | Linea |
| Type | Swivel castor with total lock |
| Standard | EN12530 - Devices Castors |
| Load capacity at 1.8 mph | 286.6 lb |
| Stainless | ✓ |
| Load capacity Static | 573.2 lb |
| Temperature range (Minimum) | 14 °F |
| Temperature range (Maximum) | 104 °F |
| Overall height | 5.83 in |
| Overall width | 3.23 in |

WHEEL

| | |
|-----------------------|-----------------------------------|
| Body material | Polyamide |
| Tread material | Polyurethane, injected |
| Bearing | Precision ball bearing, stainless |
| Threadguards | With threadguard |
| Diameter | 4.92 in |
| Tread width | 0.79 in |
| Hardness of tread (A) | 92 Shore A |

HOUSING

| | |
|---------------------|------------------------|
| Material | Polyamide |
| Fork shape | Twin wheel housing |
| Swivel bearing | Precision ball bearing |
| Color | Gray white (RAL9002) |
| Offset | 1.57 in |
| Swivel radius | 5.08 in |
| Swivel interference | 10.16 in |
| Dome diameter | 2.05 in |

FITTING

| | |
|-----------------------------|---|
| Fitting type | Rectangular plate, US-bolt hole spacing |
| Plate length | 3.74 in |
| Plate width | 2.76 in |
| Plate hole length (Minimum) | 2.83 in |
| Plate hole length (Maximum) | 2.99 in |
| Plate hole width (Minimum) | 1.75 in |
| Plate hole width (Maximum) | 2.05 in |
| Plate hole diameter | 0.43 in |



Deutscher Designer Club



Interzum Award



IF Design Award

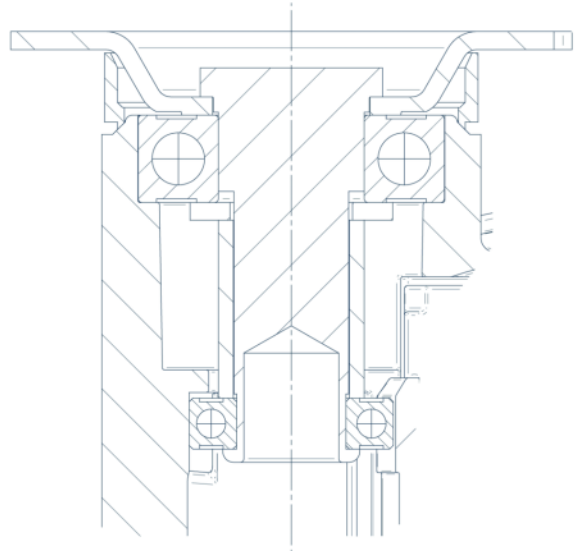
PRODUCT INFORMATION

LINEA

5947UAC125P52 RAL9002

EAN 4031582353112

TECHNICAL DRAWINGS



Deutscher
Designer
Club



Interzum
Award



IF
Design
Award