

DURATECH

MOP 300x80-Ø50 HL90

EAN 4031582320091



BETTER MOBILITY. BETTER LIFE.



Image may differ from the original product

WHEEL

Body material	Polyamide, super heavy
Tread Material Mix	Identical with wheel body
Bearing	Precision ball bearing
Wheel Color	Natural white
Threadguards	Without threadguard
Diameter	300 mm
Tread width	80 mm
Axle Hole Diameter	50 mm
Hub Length	90 mm
Body width	80 mm
Hardness of tread (D)	75 Shore D
Bearing type	6310

PERFORMANCE

Roll Performance	● ● ● ● ●
Movement Noise	● ● ○ ○ ○
Attrition	● ● ● ● ●
Corrosion Resistance	● ● ● ○ ○

CORE ATTRIBUTES

Product Name	Duratech
Type	Wheel
Standard	EN12533 - Heavy Duty Castors
Load capacity at 4 km/h	7800 kg
Load capacity at 6 km/h	6500 kg
Electric Conductive	No
Stainless	No
Load capacity Static	13000 kg
Temperature range (Minimum)	-40 °C
Temperature range (Maximum)	80 °C
Overall weight	8.32 kg

DURATECH

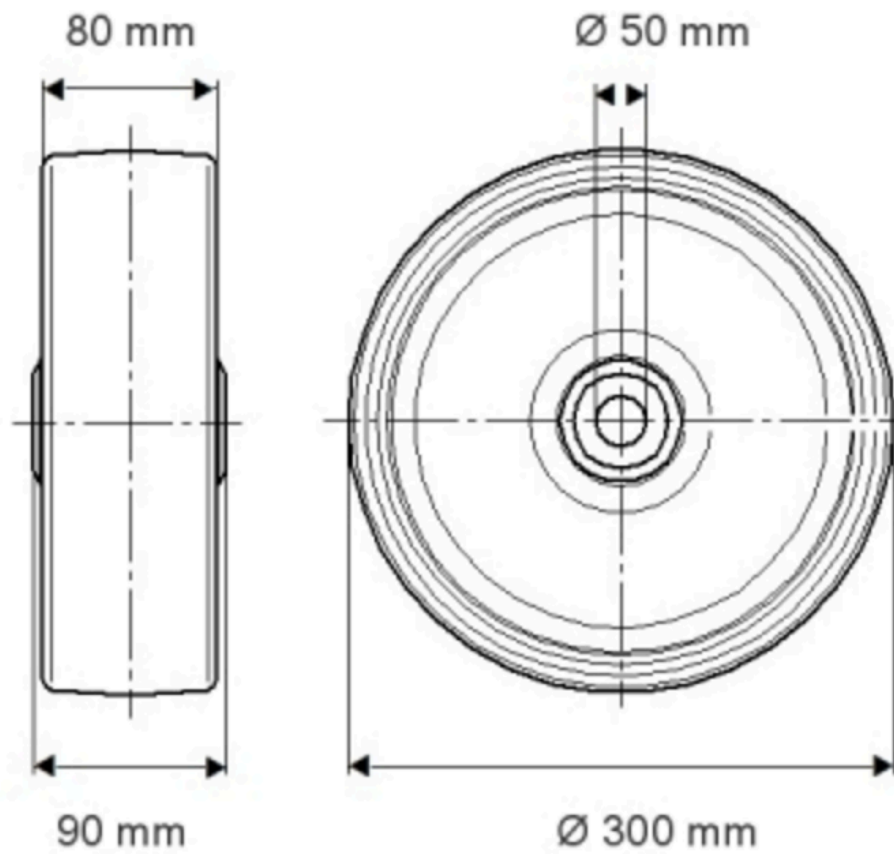
MOP 300x80-Ø50 HL90

EAN 4031582320091

Order number 00830851
Product Drawings



BETTER MOBILITY. BETTER LIFE.



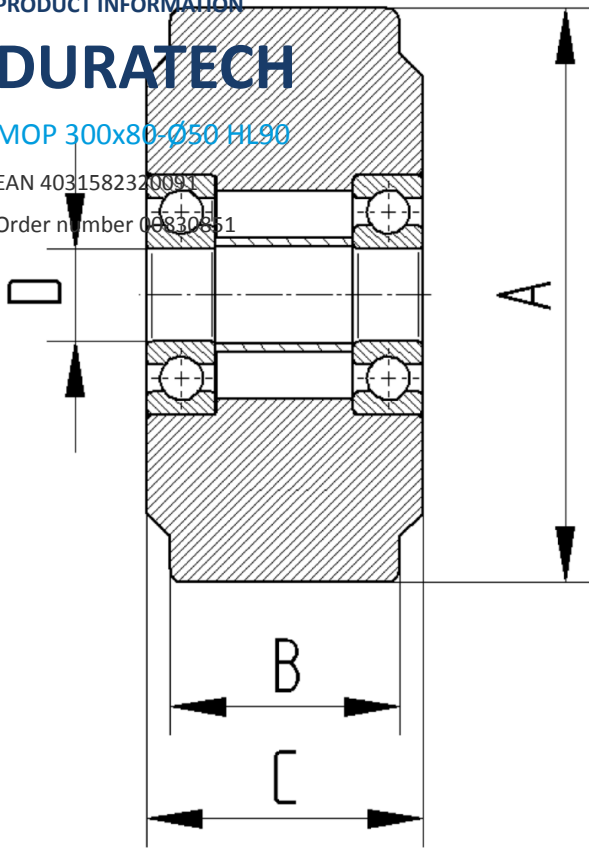
PRODUCT INFORMATION

DURATECH

MOP 300x80-Ø50 HL90

EAN 4031582320091

Order number 00830551



BETTER MOBILITY. BETTER LIFE.