

LINEA LOAD

5940UAP050L51-8 LOAD 9011

EAN 4031582421606



BETTER MOBILITY. BETTER LIFE.



Image may differ from the original product

PERFORMANCE

Roll performance	● ● ● ● ●
Movement noise	● ● ● ● ○
Attrition	● ● ● ● ●
Corrosion resistance	● ● ● ● ○

CORE ATTRIBUTES

Product name	Linea load
Type	Swivel castor
Standard	EN12530 - Devices Castors
Load capacity at 1.8 mph	220.46 lb
Load capacity Static	440.92 lb
Temperature range (Minimum)	14 °F
Temperature range (Maximum)	104 °F
Overall height	1.99 in
Overall width	1.87 in
Overall weight	0.19 lb

WHEEL

Body material	Polyamide
Tread material	Polyurethane, injected
Bearing	Precision ball bearing
Threadguards	With threadguard
Diameter	1.97 in
Tread width	0.51 in
Hardness of tread (A)	92 Shore A

HOUSING

Material	Polyamide
Fork shape	Twin wheel housing
Swivel bearing	Precision ball bearing
Color	Graphite black (RAL9011)
Swivel radius	1.59 in
Swivel interference	3.19 in
Dome diameter	0.91 in

FITTING

Fitting type	Blind hole for B10 fitting
Bolt hole diameter	0.31 in



LINEA LOAD

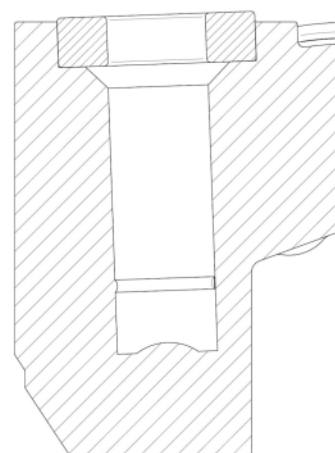
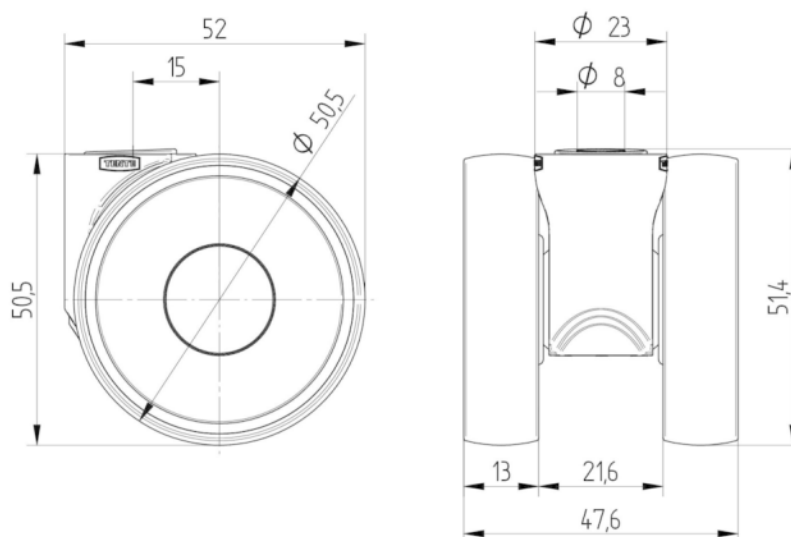
5940UAP050L51-8 LOAD 9011

EAN 4031582421606



BETTER MOBILITY. BETTER LIFE.

TECHNICAL DRAWINGS



Deutscher
Designer
Club



Interzum
Award



IF
Design
Award