

PRODUCT INFORMATION

ELASTECH

IEP 100x40 HL45 asm.

EAN 4031582319668



BETTER MOBILITY. BETTER LIFE.



Image may differ from the original product

WHEEL

Tread hardness	soft
Body material	Aluminium
Tread Material Mix	Elastic tire, black, vulcanized
Bearing	Precision ball bearing
Wheel Color	Metallic
Threadguards	Without threadguard
Diameter	100 mm
Tread width	40 mm
Axle Hole Diameter	8 mm
Hub Length	45 mm
Body width	40 mm
Hardness of tread (A)	68 Shore A

PERFORMANCE

Roll Performance	●●●●○
Movement Noise	●●●●●
Attrition	●●●○
Corrosion Resistance	●●●○

CORE ATTRIBUTES

Product Name	Elastech
Type	Wheel
Standard	EN12532 - Transport Equipment
Load capacity at 4 km/h	200 kg
Electric Conductive	No
Stainless	No
Load capacity Static	400 kg
Temperature range (Minimum)	-20 °C
Temperature range (Maximum)	85 °C
Overall weight	0.51 kg

ELASTECH

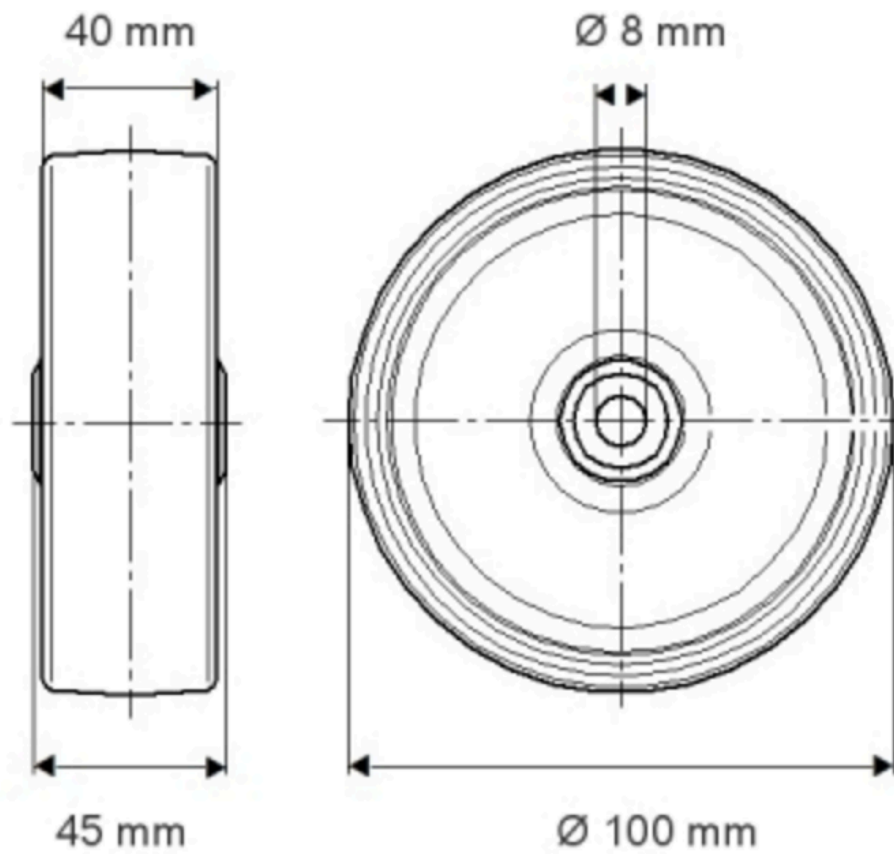
IEP 100x40 HL45 asm.

EAN 4031582319668

Order number 00002341
Product Drawings



BETTER MOBILITY. BETTER LIFE.



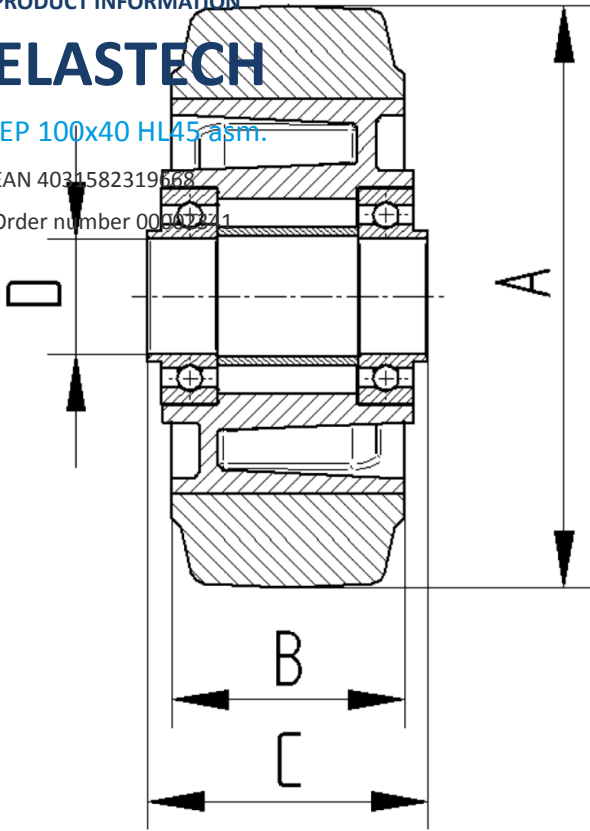
PRODUCT INFORMATION

ELASTECH

IEP 100x40 HL45 asm.

EAN 4031582319668

Order number 0000224



BETTER MOBILITY. BETTER LIFE.