

LINEA

594CUAP125P30-11 RAL7001

EAN 4031582378306
Order number 00772241



BETTER MOBILITY. BETTER LIFE.



Image may differ from the original product

PERFORMANCE

Roll performance	● ● ● ● ●
Movement noise	● ● ● ○ ○
Attrition	● ● ● ● ○
Corrosion resistance	● ● ● ● ○

CORE ATTRIBUTES

Product name	Linea
Type	Swivel castor with combined lock
Standard	EN12530 - Devices Castors
Load capacity at 3 km/h	130 kg
Load capacity Static	260 kg
Temperature range (Minimum)	-20 °C
Temperature range (Maximum)	60 °C
Overall height	143 mm
Overall width	82 mm
Overall weight	0.985 kg
Certification	Tested and monitored by TÜV Süd

WHEEL

Body material	Polyamide
Tread material	Polyurethane, injected
Bearing	Precision ball bearing
Threadguards	With threadguard
Diameter	125 mm
Tread width	20 mm
Hardness of tread (A)	92 Shore A

HOUSING

Material fork	Polyamide
Fork shape	Twin wheel housing
Swivel bearing	Precision ball bearing
Colour	Silver grey (RAL7001)
Offset	40 mm
Swivel radius	129 mm
Swivel interference	258 mm
Dome diameter	52 mm

FITTING

Fitting type	Bolt hole
Bolt hole diameter	11 mm



Deutscher Designer Club



Interzum Award



IF Design Award

LINEA

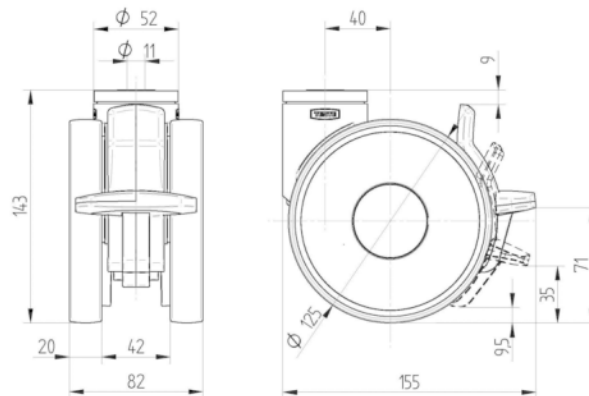
594CUAP125P30-11 RAL7001

EAN 4031582378306
Order number 00772241



BETTER MOBILITY. BETTER LIFE.

TECHNICAL DRAWINGS



Deutscher
Designer
Club



Interzum
Award



IF
Design
Award