

# INTEGRAL

2040XSX200R05-28

EAN 4031582341676



BETTER MOBILITY. BETTER LIFE.



Image may differ from the original product

## PERFORMANCE

|                      |           |
|----------------------|-----------|
| Roll performance     | ● ● ● ○ ○ |
| Movement noise       | ● ● ● ○ ○ |
| Attrition            | ● ● ● ○ ○ |
| Corrosion resistance | ● ● ● ○ ○ |

## CORE ATTRIBUTES

|                             |                                       |
|-----------------------------|---------------------------------------|
| Product name                | Integral                              |
| Type                        | Swivel castor                         |
| Standard                    | similar EN12531- Hospital Bed Castors |
| Load capacity at 1.8 mph    | 330.69 lb                             |
| Load capacity at 2.5 mph    | 330.69 lb                             |
| Electric conductive         | ✓                                     |
| Load capacity Static        | 661.39 lb                             |
| Temperature range (Minimum) | -22 °F                                |
| Temperature range (Maximum) | 176 °F                                |
| Overall height              | 9.02 in                               |
| Overall weight              | 3.66 lb                               |
| Certification               | Tested and monitored by TÜV Süd       |

## WHEEL

|                       |   |
|-----------------------|---|
| Body material         | Polyamide, electric conductive              |
| Tread material        | Polyurethane, injected, electric-conductive |
| Bearing               | Precision ball bearing, sealed              |
| Threadguards          | Integrated threadguard                      |
| Diameter              | 7.87 in                                     |
| Tread width           | 1.38 in                                     |
| Hardness of tread (D) | 59 Shore D                                  |

## HOUSING

|                     |                        |
|---------------------|------------------------|
| Material            | Steel sheet, medium    |
| Fork shape          | Closed                 |
| Swivel bearing      | Precision ball bearing |
| Offset              | 2.36 in                |
| Swivel radius       | 6.3 in                 |
| Swivel interference | 12.6 in                |

## FITTING

|               |  |
|---------------|--|
| Fitting type  | Solid stem, round  |
| Bolt diameter | 1.1 in   |
| Bolt length   | 1.77 in  |
| Hint          | Washable beds must be sealed in the fitting area by the hospital bed manufacturer. |

## ADDITIONAL INFORMATION

Washable according AK-BWA



IF Design Award



Red Dot Design Award

# INTEGRAL

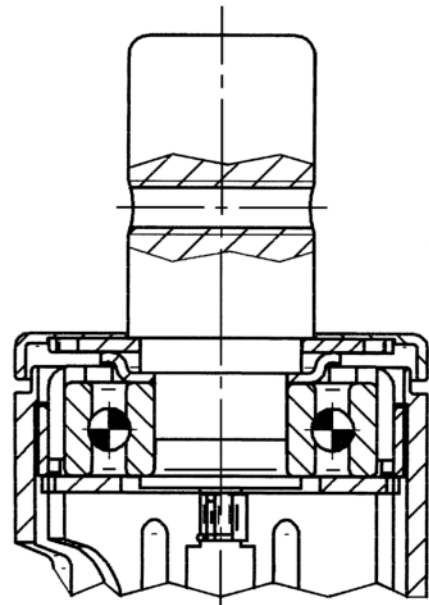
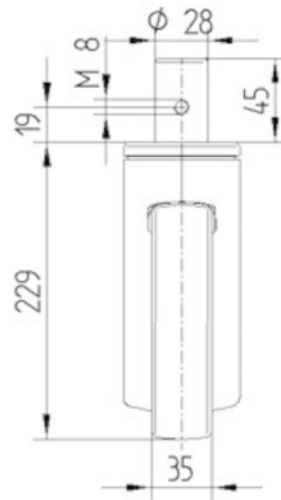
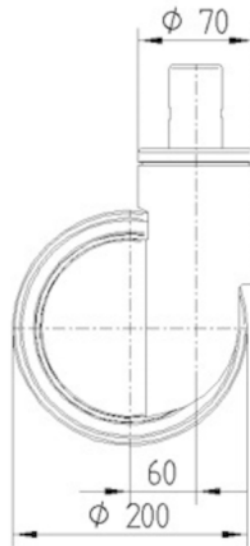
2040XSX200R05-28

EAN 4031582341676



BETTER MOBILITY. BETTER LIFE.

## TECHNICAL DRAWINGS



IF  
Design  
Award



Red Dot  
Design  
Award