

PRODUCT INFORMATION

ELASTECH

EEZ 200x75-Ø100 DG

EAN 4031582318333



BETTER MOBILITY. BETTER LIFE.



Image may differ from the original product

WHEEL

Tread hardness	soft
Body material	Steel, iron
Tread Material Mix	Elastic tire, black, vulcanized
Bearing	Borehole, unmachined
Wheel Color	Jet black (similar RAL9005)
Diameter	200 mm
Tread width	75 mm
Axle Hole Diameter	100 mm
Hub Length	75 mm
Body width	75 mm
Hardness of tread (A)	68 Shore A

PERFORMANCE

Roll Performance	● ● ● ○ ○ ○
Movement Noise	● ● ● ● ● ●
Attrition	● ● ● ● ○ ○
Corrosion Resistance	● ● ● ● ○ ○

CORE ATTRIBUTES

Product Name	Elastech
Type	Wheel
Standard	EN12533 - Heavy Duty Castors
Load capacity at 4 km/h	600 kg
Load capacity at 6 km/h	500 kg
Electric Conductive	No
Stainless	No
Load capacity Static	1000 kg
Temperature range (Minimum)	-20 °C
Temperature range (Maximum)	85 °C
Overall weight	2.31 kg

ELASTECH

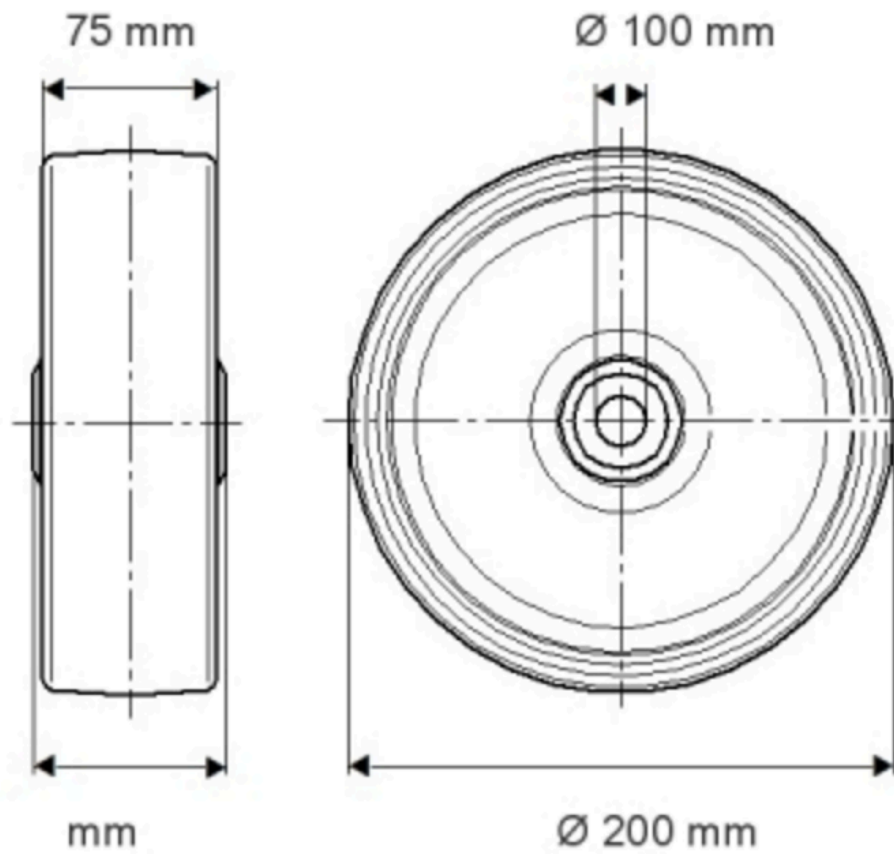
EEZ 200x75-Ø100 DG

EAN 4031582318333

Order number 00830872
Product Drawings



BETTER MOBILITY. BETTER LIFE.



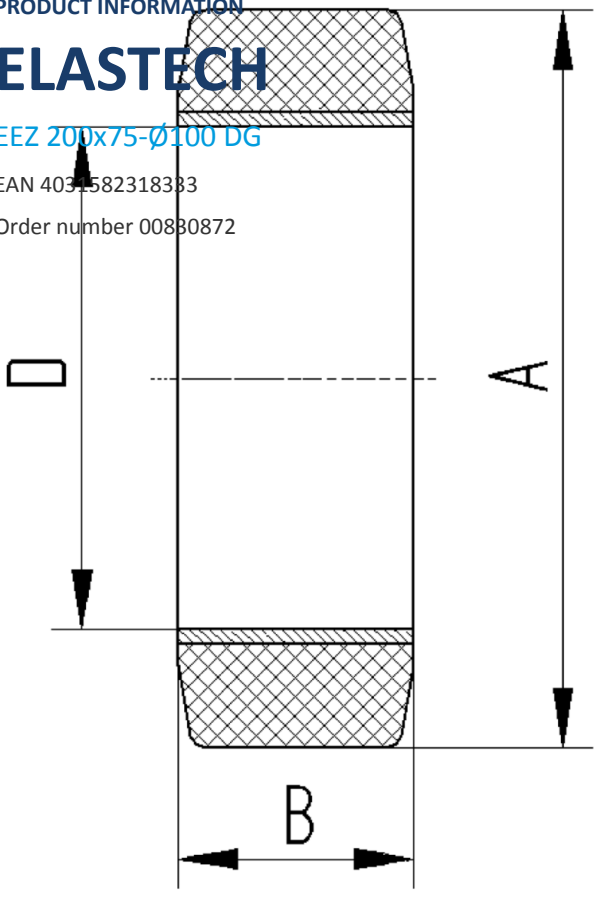
PRODUCT INFORMATION

ELASTECH

EEZ 200x75-Ø100 DG

EAN 405582318383

Order number 00880872



BETTER MOBILITY. BETTER LIFE.