

# LEVINA

5377UAP100P50

EAN 4031582369045



BETTER MOBILITY. BETTER LIFE.



Image may differ from the original product

## PERFORMANCE

Roll performance	● ● ● ○ ○
Movement noise	● ● ● ● ○
Attrition	● ● ● ● ○
Corrosion resistance	● ● ● ● ○

## CORE ATTRIBUTES

Product name	Levina
Type	Swivel castor with total lock
Standard	EN12530 - Devices Castors
Load capacity at 1.8 mph	220.46 lb
Load capacity Static	440.92 lb
Temperature range (Minimum)	14 °F
Temperature range (Maximum)	104 °F
Overall height	5.39 in
Overall weight	1.21 lb

## WHEEL

Body material	Polyamide
Tread material	Polyurethane, injected
Bearing	Precision ball bearing
Threadguards	With threadguard
Diameter	3.94 in
Tread width	1.26 in
Hardness of tread (D)	40 Shore D

## HOUSING

Material	Polyamide
Fork shape	Slim
Swivel bearing	Two ball races
Offset	1.42 in
Swivel radius	3.86 in
Swivel interference	7.72 in

## FITTING

Fitting type	Rectangular plate
Plate length	3.03 in
Plate width	2.64 in
Plate hole length (Minimum)	2.2 in
Plate hole length (Maximum)	2.42 in
Plate hole width (Minimum)	1.83 in
Plate hole width (Maximum)	2.03 in
Plate hole diameter	0.33 in



Universal Design Award



Deutscher Designer Club

# LEVINA

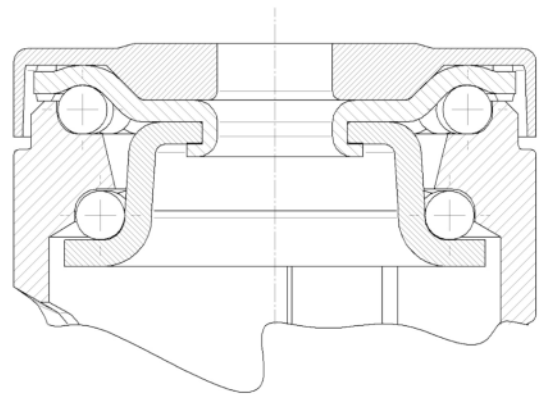
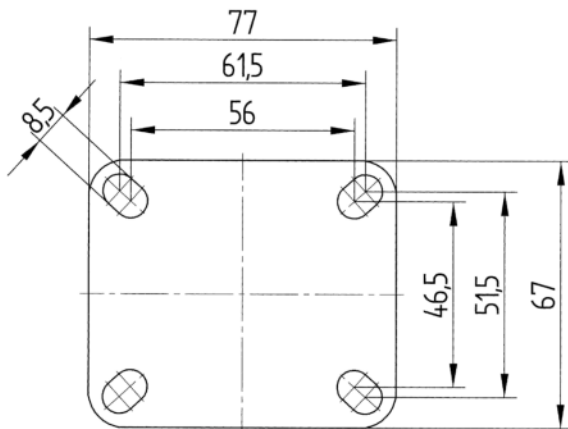
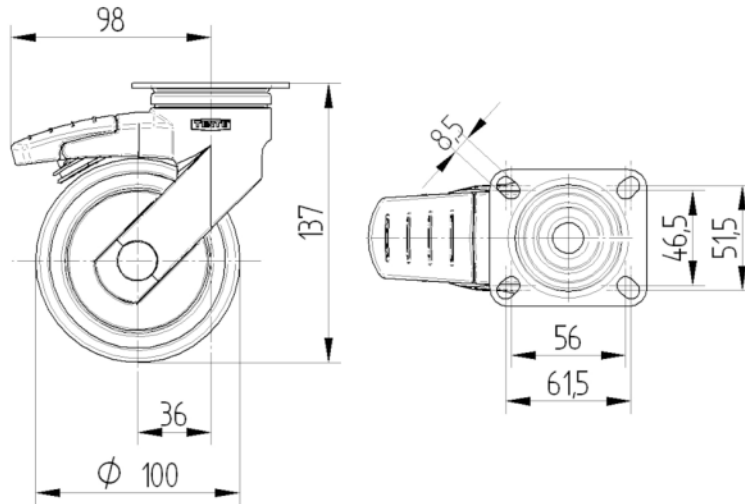
5377UAP100P50

EAN 4031582369045



BETTER MOBILITY. BETTER LIFE.

## TECHNICAL DRAWINGS



Universal  
Design  
Award



Deutscher  
Designer  
Club