

ALPHA

3477UEJ125P62 T/G-SMALL

EAN 4031582376937
Order number 00032388



BETTER MOBILITY. BETTER LIFE.



Image may differ from the original product

PERFORMANCE

| | |
|----------------------|-----------|
| Roll performance | ● ● ● ● ○ |
| Movement noise | ● ● ● ● ○ |
| Attrition | ● ● ● ○ ○ |
| Corrosion resistance | ● ● ● ○ ○ |

CORE ATTRIBUTES

| | |
|-----------------------------|-------------------------------|
| Product name | Alpha |
| Type | Swivel castor with total lock |
| Standard | EN12532 - Transport Equipment |
| Load capacity at 2.5 mph | 551.16 lb |
| Load capacity Static | 1102.31 lb |
| Temperature range (Minimum) | -4 °F |
| Temperature range (Maximum) | 176 °F |
| Overall height | 6.1 in |
| Overall width | 2.95 in |
| Overall weight | 2.59 lb |

WHEEL

| | |
|-----------------------|---------------------------------|
| Body material | Polyamide |
| | soft |
| Tread material | Elastic tire, black, vulcanized |
| Bearing | Roller bearing |
| Axle | Screwed with nut |
| Wheel color | Silver gray (RAL7001) |
| Threadguards | With threadguard |
| Diameter | 4.92 in |
| Tread width | 1.57 in |
| Body width | 1.57 in |
| Hardness of tread (A) | 63 Shore A |

HOUSING

| | |
|---------------------|--------------------|
| Material | Steel sheet, heavy |
| Fork shape | Broad |
| Swivel bearing | Two ball races |
| Color | Blue passivated |
| Offset | 1.57 in |
| Swivel radius | 4.84 in |
| Swivel interference | 9.69 in |
| Dome diameter | 2.95 in |

FITTING

| | |
|-----------------------------|-------------------|
| Fitting type | Rectangular plate |
| Plate length | 4.13 in |
| Plate width | 3.15 in |
| Plate hole length (Minimum) | 3.03 in |
| Plate hole length (Maximum) | 2.36 in |
| Plate hole width (Minimum) | 3.03 in |
| Plate hole width (Maximum) | 3.15 in |
| Plate hole diameter | 0.35 in |

ALPHA

3477UEJ125P62 T/G-SMALL

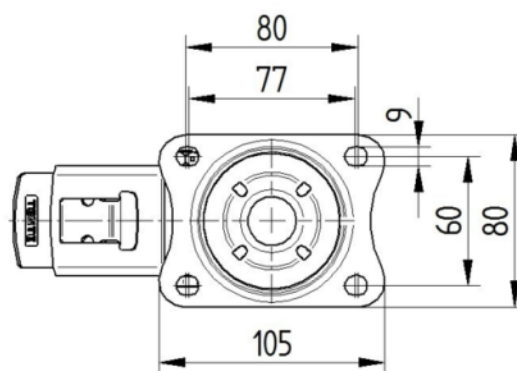
EAN 4031582376937
Order number 00032388



BETTER MOBILITY. BETTER LIFE.

TECHNICAL DRAWINGS

3477U00125P62-neu



Platte 3470-080P62-105x80

