

ALPHA

3470UAR100P62

EAN 4031582304268



BETTER MOBILITY. BETTER LIFE.



Image may differ from the original product

PERFORMANCE

Roll Performance	● ● ● ● ○
Movement Noise	● ● ● ● ○
Attrition	● ● ● ● ○
Corrosion Resistance	● ● ● ● ○

CORE ATTRIBUTES

Product Name	Alpha
Type	Swivel castor
Standard	EN12532 - Transport Equipment
Load capacity at 4 km/h	150 kg
Electric Conductive	No
Stainless	No
Load capacity Static	300 kg
Temperature range (Minimum)	-25 °C
Temperature range (Maximum)	80 °C
Overall Height	128 mm
Overall width	75 mm
Overall weight	0.81 kg

HOUSING

Housing Material	Steel sheet, heavy
Fork shape	Broad
Swivel Bearing	Two ball races
Housing Color	Blue passivated
Offset	40 mm
Swivel radius	90 mm
Swivel interference	180 mm
Dome diameter	75 mm

WHEEL

Body material	Polyamide
Tread Material Mix	Polyurethane, injected
Bearing	Roller bearing
Axle	Screwed with nut
Wheel Color	Silver grey (RAL7001)
Threadguards	Without threadguard
Diameter	100 mm
Tread width	32 mm
Body width	32 mm
Hardness of tread (A)	92 Shore A
Hardness of tread (D)	42 Shore D

FITTING

Fitting type	Small rectangular plate
Plate length	105 mm
Plate width	80 mm
Plate hole length (Minimum)	77 mm
Plate hole length (Maximum)	60 mm
Plate hole width (Minimum)	77 mm
Plate hole width (Maximum)	80 mm
Plate hole diameter	9 mm

ALPHA

3470UAR100P62

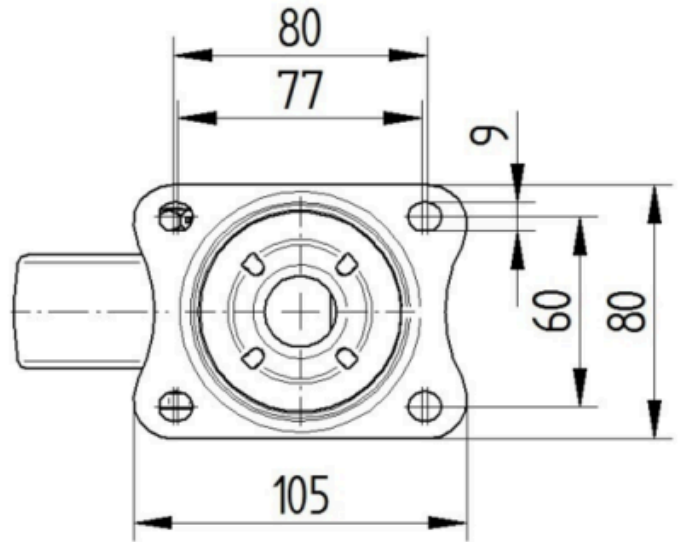
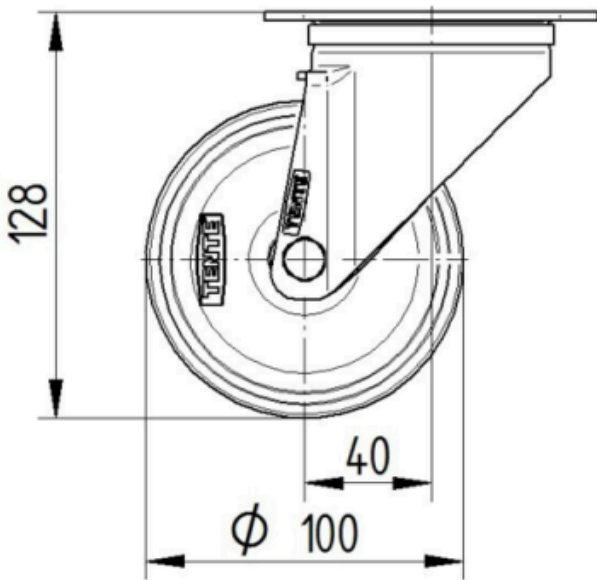
EAN 4031582304268

Order number 00029587
Product Drawings



BETTER MOBILITY. BETTER LIFE.

3470U00100P62-neu



Platte 3470-080P62-105x80

