

ALPHA

3478PVR125P63 CL60 OH161

EAN 4031582306804
Order number 00007006



BETTER MOBILITY. BETTER LIFE.



Image may differ from the original product

PERFORMANCE

Roll performance	● ● ● ○ ○
Movement noise	● ● ● ● ○
Attrition	● ● ● ○ ○
Corrosion resistance	● ● ● ○ ○

CORE ATTRIBUTES

Product name	Alpha
Type	Fixed castor
Standard	EN12532 - Transport Equipment
Load capacity at 2.5 mph	220.46 lb
Load capacity Static	440.92 lb
Temperature range (Minimum)	-4 °F
Temperature range (Maximum)	140 °F
Overall height	6.34 in
Overall width	4.53 in
Overall weight	2.88 lb

WHEEL

Body material	Polypropylene
Tread material	Solid rubber, black
Bearing	Roller bearing
Axle	Screwed with nut
Wheel color	Graphite black (RAL9011)
Threadguards	Without threadguard
Diameter	4.92 in
Tread width	1.46 in
Body width	1.46 in
Hardness of tread (A)	80 Shore A

HOUSING

Material	Steel sheet, heavy
Fork shape	Broad
Color	Blue passivated

FITTING

Fitting type	Rectangular plate
Plate length	5.39 in
Plate width	4.53 in
Plate hole length (Minimum)	2.95 in
Plate hole length (Maximum)	3.15 in
Plate hole width (Minimum)	2.95 in
Plate hole width (Maximum)	4.13 in
Plate hole diameter	0.43 in

ALPHA

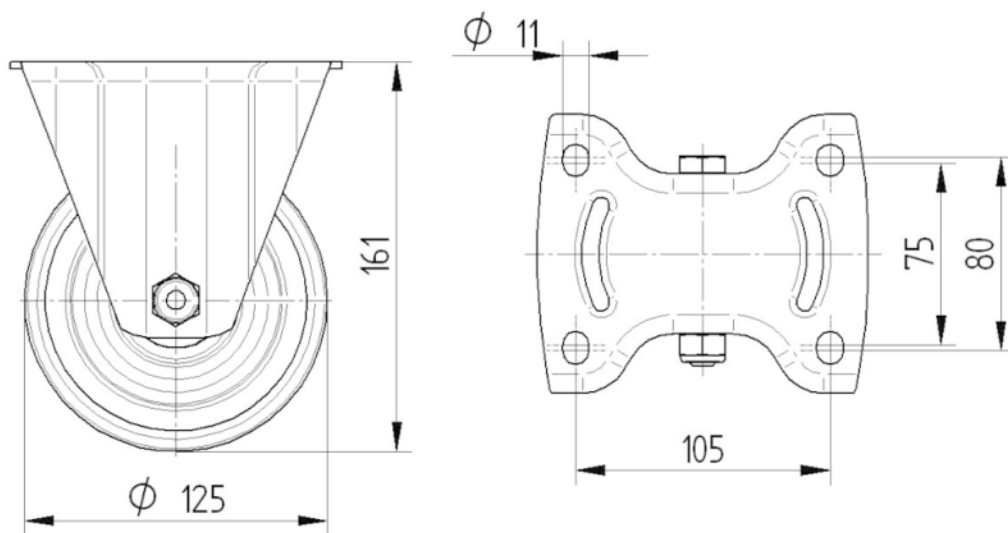
3478PVR125P63 CL60 OH161

EAN 4031582306804
Order number 00007006



BETTER MOBILITY. BETTER LIFE.

TECHNICAL DRAWINGS



8478UAD125 P63

