

AVIANA

5976PJE075P54 LIGHT STANDARD 7001

EAN 4031582370966
Order number 00036982



BETTER MOBILITY. BETTER LIFE.



Image may differ from the original product

PERFORMANCE

Roll performance	●●●○○
Movement noise	●●●●●
Attrition	●●●○○
Corrosion resistance	●●●●●

CORE ATTRIBUTES

Product name	Aviana
Type	Swivel castor with central , total lock
Standard	EN12530 - Devices Castors
Load capacity at 1.8 mph	220.46 lb
Load capacity Static	440.92 lb
Temperature range (Minimum)	14 °F
Temperature range (Maximum)	104 °F
Overall height	4.02 in
Overall width	2.72 in
Overall weight	0.75 lb

WHEEL

Body material	Polypropylene
Tread material	Thermoplastic rubber
Bearing	Cone ball bearing, stainless
Wheel color	Silver gray (RAL7001)
Diameter	2.95 in
Tread width	0.98 in
Body width	0.98 in
Hardness of tread (A)	87 Shore A

HOUSING

Material	Polyamide
Fork shape	Twin wheel housing
Swivel bearing	Two ball races
Color	Silver gray (RAL7001)
Offset	1.1 in
Swivel radius	2.7 in
Swivel interference	5.39 in
Dome diameter	2.13 in

FITTING

Fitting type	Rectangular plate with brake elements
Plate length	2.76 in
Plate width	2.17 in
Plate hole length (Minimum)	2.01 in
Plate hole length (Maximum)	1.61 in
Plate hole width (Minimum)	2.01 in
Plate hole width (Maximum)	2.24 in
Plate hole diameter	0.22 in



Red Dot
Design
Award



German
Design
Award

AVIANA

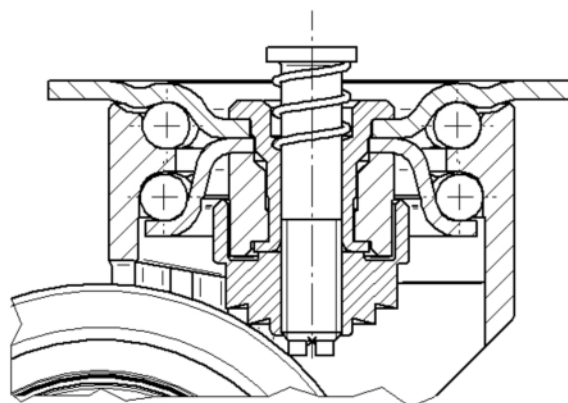
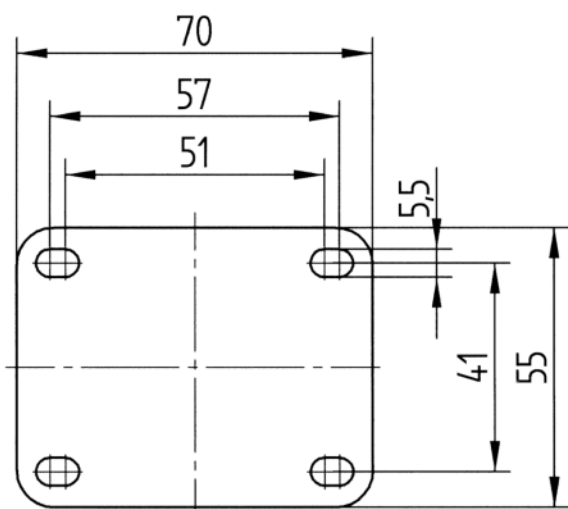
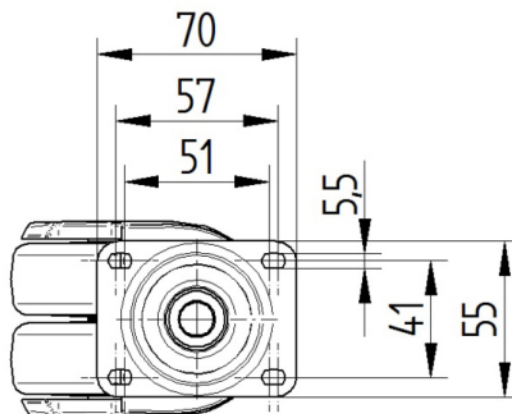
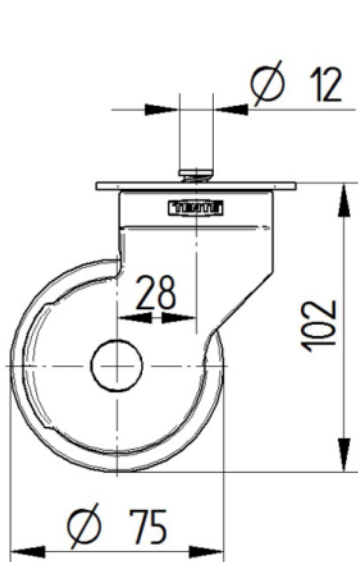
5976PJE075P54 LIGHT STANDARD 7001

EAN 4031582370966
Order number 00036982



BETTER MOBILITY. BETTER LIFE.

TECHNICAL DRAWINGS



Red Dot
Design
Award



German
Design
Award