

LINEA LIGHT

5925PJI075L51-10 RAL9002

EAN 4031582377491



BETTER MOBILITY. BETTER LIFE.



Image may differ from the original product

PERFORMANCE

Roll performance	● ● ● ● ●
Movement noise	● ● ● ● ●
Attrition	● ● ● ● ●
Corrosion resistance	● ● ● ● ●

CORE ATTRIBUTES

Product name	Linea light
Type	Swivel castor with wheel brake
Standard	EN12528 - Furniture Castors
Load capacity at 3 km/h	60 kg
Load capacity Static	120 kg
Temperature range (Minimum)	-20 °C
Temperature range (Maximum)	60 °C
Overall height	75.5 mm
Overall width	55 mm
Overall weight	0.155 kg

WHEEL

Body material	Polypropylene
Tread material	Thermoplastic rubber
Bearing	Plain bearing with spacer tube
Threadguards	Without threadguard
Diameter	75 mm
Tread width	15 mm
Hardness of tread (A)	92 Shore A

HOUSING

Material fork	Polyamide
Fork shape	Twin wheel housing
Swivel bearing	Stem, swiveling
Colour	Grey white (RAL9002)
Offset	23 mm
Swivel radius	82 mm
Swivel interference	164 mm

FITTING

Fitting type	Blind hole for B10
Bolt hole diameter	10 mm



LINEA LIGHT

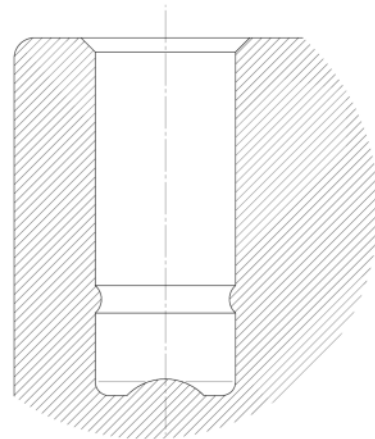
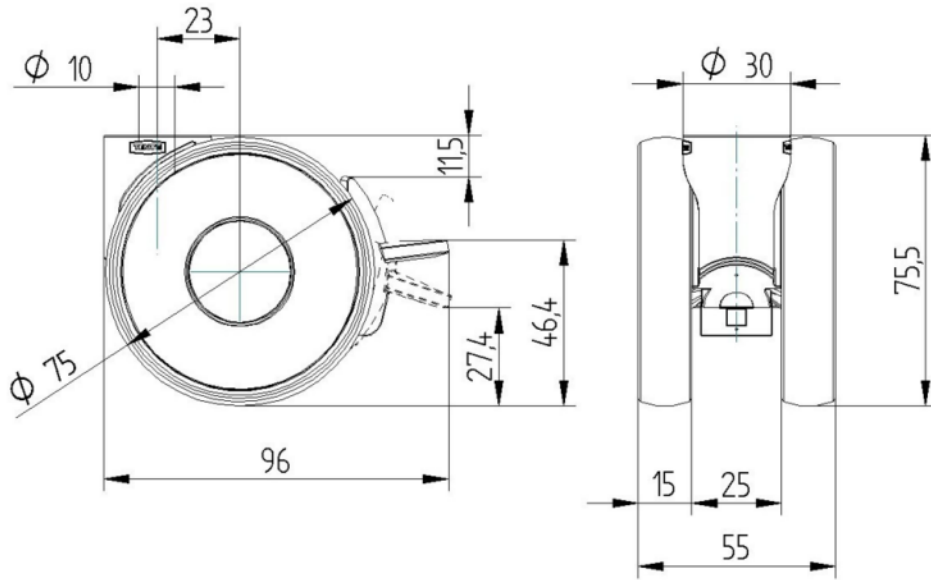
5925PJI075L51-10 RAL9002

EAN 4031582377491



BETTER MOBILITY. BETTER LIFE.

TECHNICAL DRAWINGS



Deutscher
Designer
Club



Interzum
Award



IF
Design
Award