

# LEVINA

5377XSP100R05-18X62

EAN 4031582360288



BETTER MOBILITY. BETTER LIFE.



Image may differ from the original product

## PERFORMANCE

Roll performance	●●●○○
Movement noise	●●●●○
Attrition	●●●●○
Corrosion resistance	●●●●○

## CORE ATTRIBUTES

Product name	Levina
Type	Swivel castor with total lock
Standard	EN12530 - Devices Castors
Load capacity at 3 km/h	100 kg
Electric conductive	✓
Load capacity Static	200 kg
Temperature range (Minimum)	-10 °C
Temperature range (Maximum)	40 °C
Overall height	137 mm
Overall weight	0.734 kg

## WHEEL

Body material	Polyamide, electric conductive
Tread material	Polyurethane, injected, electric-conductive
Bearing	Precision ball bearing
Threadguards	With threadguard
Diameter	100 mm
Tread width	32 mm
Hardness of tread (D)	40 Shore D

## HOUSING

Material fork	Polyamide
Fork shape	Slim
Swivel bearing	Two ball races
Offset	36 mm
Swivel radius	98 mm
Swivel interference	196 mm

## FITTING

Fitting type	Solid stem, round
Bolt diameter	18 mm
Bolt length	62 mm



Universal Design Award



Deutscher Designer Club

# LEVINA

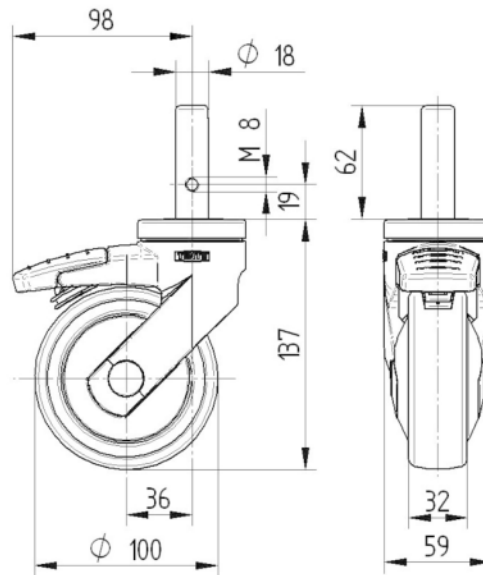
5377XSP100R05-18X62

EAN 4031582360288



BETTER MOBILITY. BETTER LIFE.

## TECHNICAL DRAWINGS



Universal  
Design  
Award



Deutscher  
Designer  
Club